

Katalog náhradních dílů pro  
průmyslový šicí stroj

GARUDAN<sup>®</sup>

General  
NT67- serie



ANITA B s.r.o.

Hliníky 2068

680 01 Boskovice

Czech Republic

fax: +420 516 452 751

tel: +420 516 456 604,

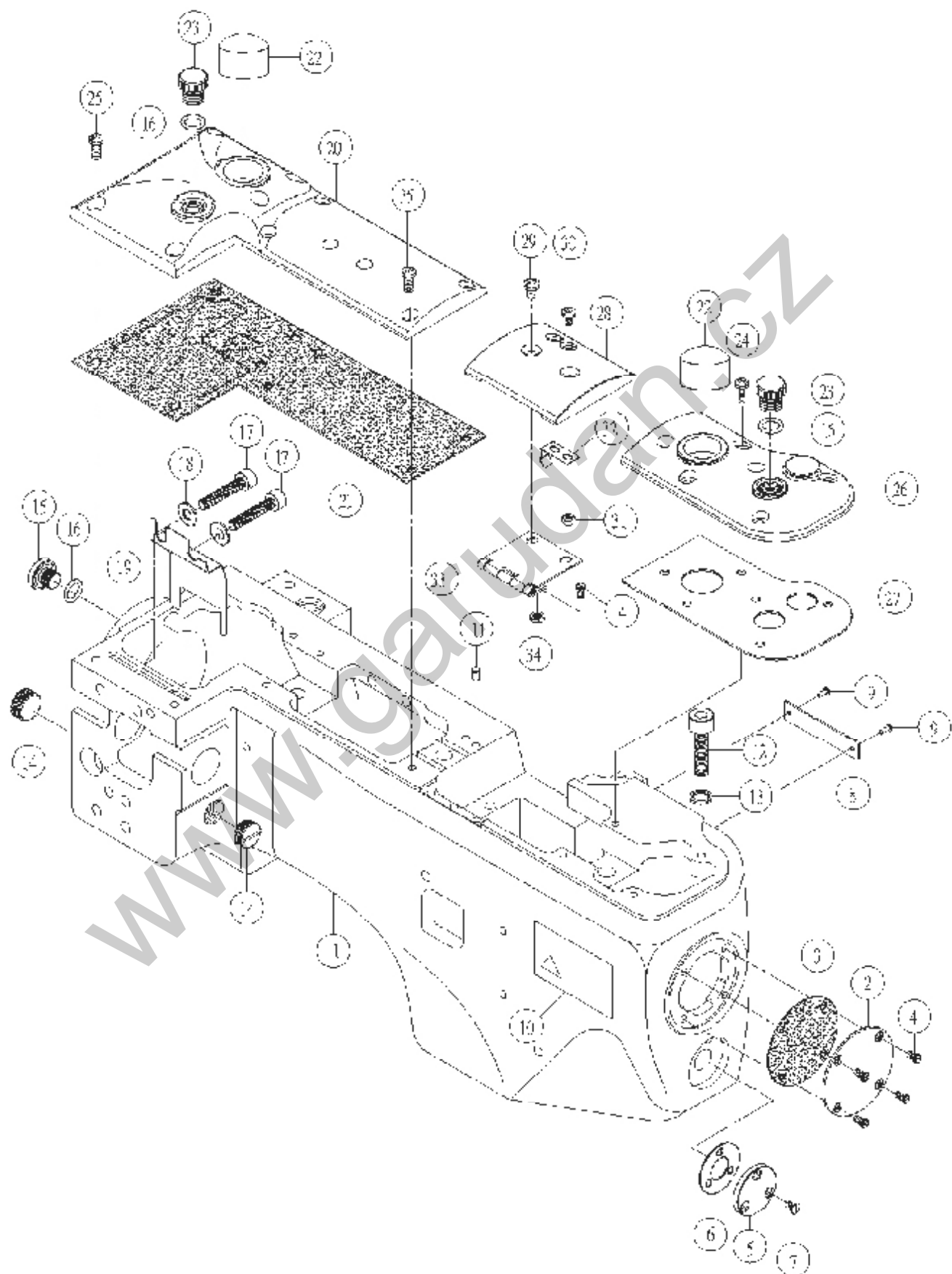
e-mail: [info@anita.cz](mailto:info@anita.cz)

[www.garudan.cz](http://www.garudan.cz)

## Table of contents

	Description	Page
1.	Frame And Cover(1)	1
2.	Frame And Cover(2)	3
3.	Frame And Cover(3)	5
4.	Bushing And Plug	7
5.	Upper Main Shaft Components	9
6.	Lower Driving Mechanism	11
7.	Needle Bar Components	13
8.	Upper And Lower Knife Components	15
9.	Press Foot Components	17
10.	DIFF. Feed Driving Mechanism	19
11.	Feed Driving Mechanism	21
12.	Thread Tension Components(1)	23
13.	Thread Tension Components(2)	25
14.	Lubrication And Cooling Mechanism	27
15.	Thread Stand	29
16.	Accessories	31
17.	TT-STYLE1	33
18.	TT-STYLE31	35
19.	TT-STYLE31	37
20.	TT-S31	39
21.	TT-STYLE32	41
22.	TT-STYLE32	43
23.	TT-S32/AL013B	45
24.	HT-S21	47
	Appendix 1-Gauge Set List	APP-1
	Appendix 2-Gauge Set List	APP-2
	Appendix 1-Gauge Set List	APP-3
	Appendix 2-Gauge Set List	APP-4
	Appendix 3-Gauge Set List	APP-5
	Appendix 4-Gauge Set List	APP-6
	Appendix 5-Gauge Set List	APP-7
	Appendix 6-Gauge Set List	APP-8
	Appendix 7-Gauge Set List	APP-9

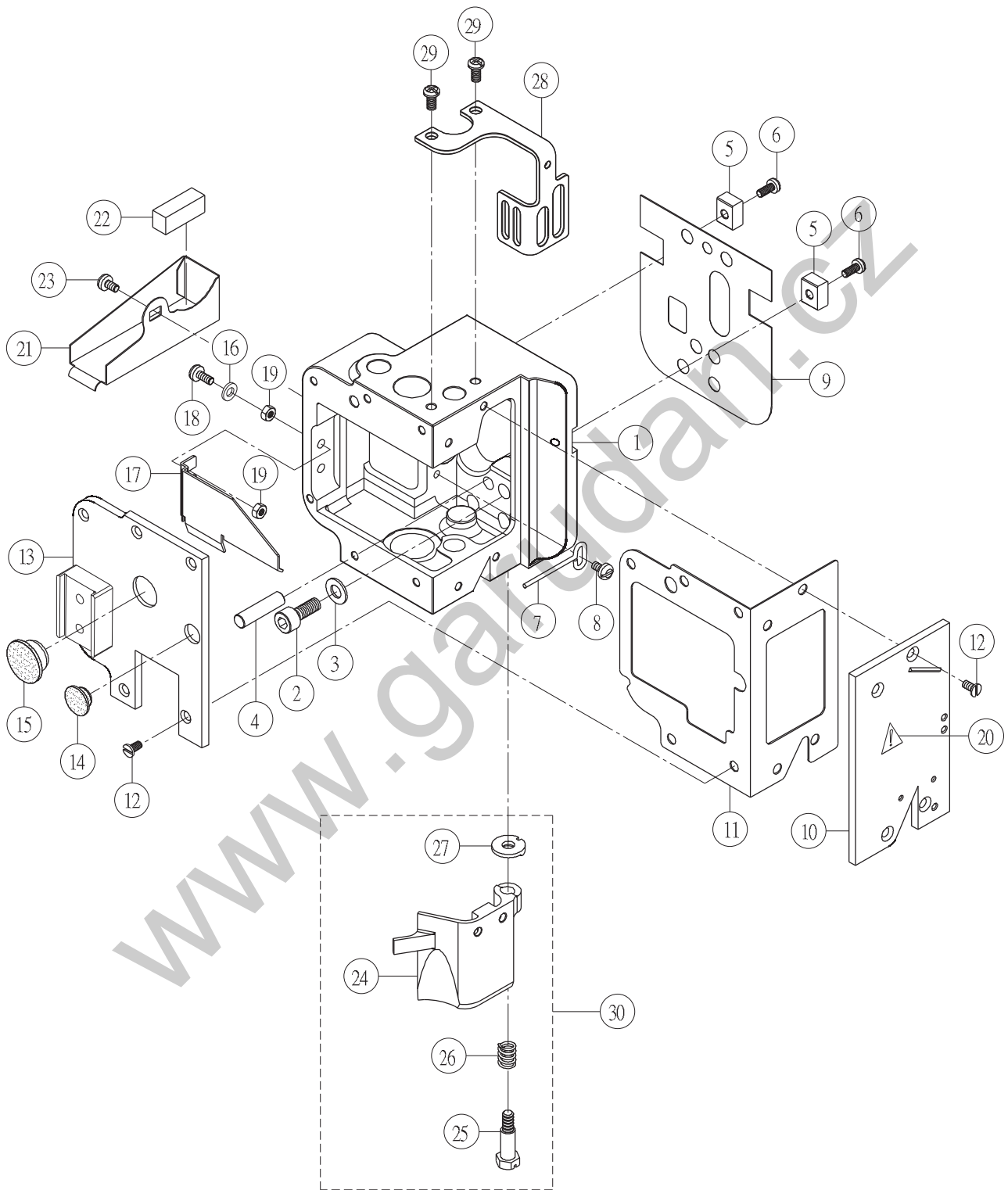
1.本體與外裝零件(一) 24001 Frame And Cover (1)



1.本體與外裝零件(一) 240001 Frame And Cover (1)

序號	物料編號	名稱		單位用量
Ref. No.	Parts Number	Description		Amt.Req.
1	240001001	車頭上臂	Machine Frame	1
2	240001005	封蓋	Machine Frame End Cover	1
3	240001006	軸端油封	Machine Frame End Cover Gasket	1
4	8MB85240605B	螺絲	Screw	7
5	240001007	封蓋	Looper Lever Shaft Cover	1
6	2400010081	軸端油封	Looper Lever Shaft Cover Gasket	1
7	8ME85240806A	螺絲	Screw	3
8	66486-4	機器號碼牌	Serial Number Plate	1
9	66620	鉚釘	River	2
10	66454-1	警示貼紙	Caveat Paster	1
11	240001066	緩衝墊	Oil Seal Plug	1
12	8MM08503513B	螺絲	Screw	3
13	240001009	隔環	Washer	3
14	2400010101	孔塞	Plug Screw	2
15	2400010111	孔塞	Screw	1
16	90ORP10	油環	O-ring	3
17	8MM06403010A	螺絲	Screw	2
18	240001082	墊圈	Washer	2
19	240001013	導油片	Crank Chamber Cover Oil Shield	1
20	240001014	上蓋	Crank Chamber Cover	1
21	240001015	油封	Crank Chamber Cover Gasket	1
22	240001016	循環視窗	Oil Sight Top Window	2
23	240001017	孔塞	Screw	2
24	90ORP10	螺絲	Screw	10
25	240001018	螺絲	Screw	5
26	240001019	上蓋	Top Cover	1
27	240001020	油封	Top Cover Gasket	1
28	240001021	護蓋	Top Cover	1
29	8MC95300708A	螺絲	Screw	2
30	8MB85240607A	螺絲	Screw	2
31	8MA85240306B	螺帽	Nut	2
32	240001022	簧片	Top Cover Spring	1
33	240001067	絞鍊	Top Cover Hinge	1
34	8MA95300207A	螺帽	Nut	2

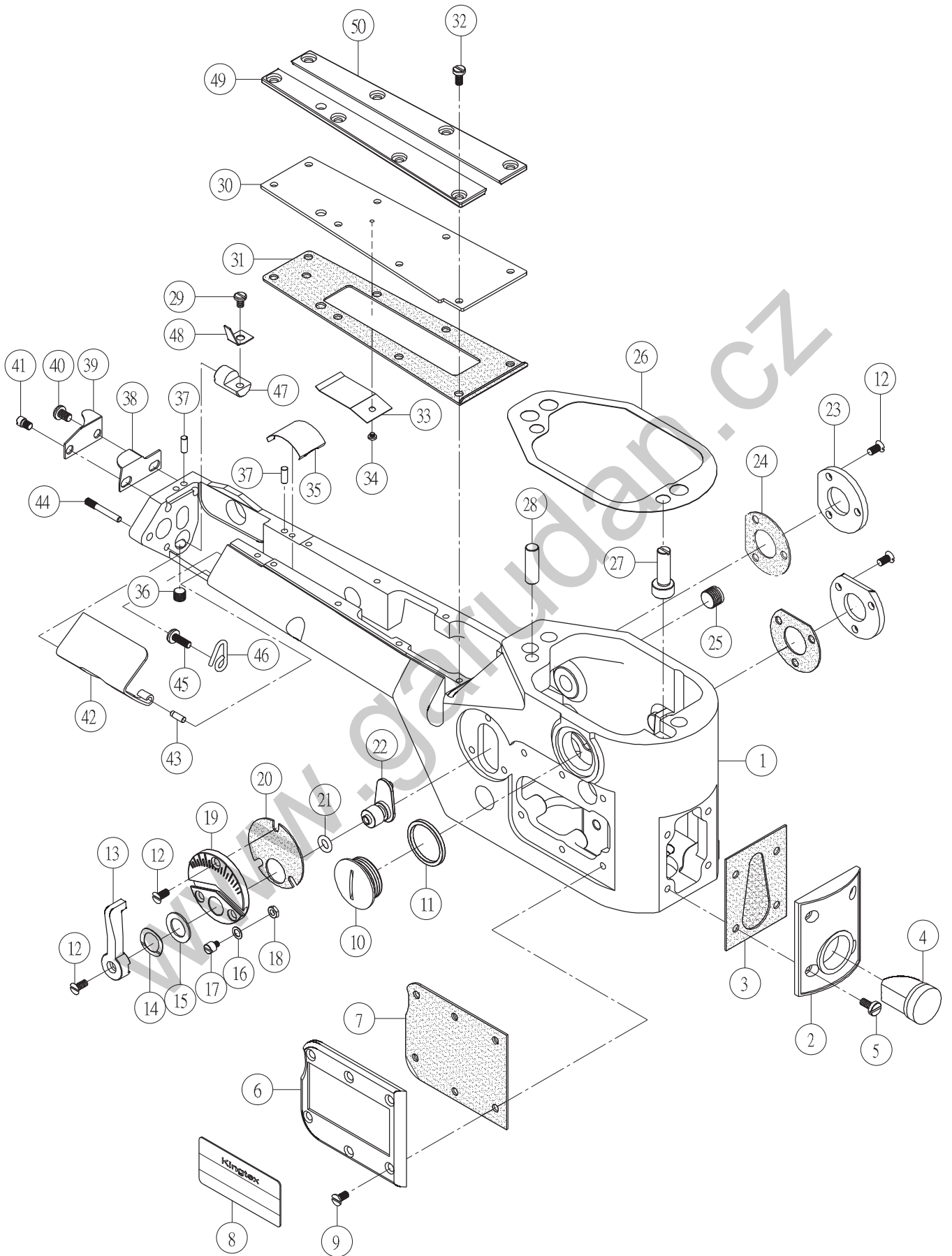
2.本體與外裝零件(二) 240001 Frame And Cover (2)



## 2.本體與外裝零件(二) 240001 Frame And Cover (2)

序號	物料編號	名稱		單位	用量
Ref. No.	Parts Number	Description		Amt.	Req.
1	240001003	針棒機構箱	Sewing Head	1	1
2	8MM06402010A	螺絲	Screw	1	1
3	90PW060	墊圈	Washer	1	1
4	90ST002E	推拔銷	Pin	1	1
5	240001024	定位鍵	Sewing Head Key	2	2
6	8MB85240806B	螺絲	Screw	2	2
7	240001025	導油針	Oil Guide Wire	1	1
8	8MB85240607A	螺絲	Screw	1	1
9	240001026	防漏墊片	Sewing Head Oil Shield	1	1
10	240001027	封蓋	Sewing Head Cover	1	1
11	240001028	油封	Sewing Head Cover Gasket	1	1
12	8MB85240806B	螺絲	Screw	10	10
13	2400010291	針棒封蓋	Sewing Head Cover	1	1
14	2210000227	孔塞	Seal Plug	1	1
15	240001031	孔塞	Seal Plug	1	1
16	240001083	墊圈	Washer	2	2
17	240001032	導油片	Thread Carrier and Hook Driving Rod Oil Guard	1	1
18	8MB85240807K	螺絲	Screw	2	2
19	8MA85240306B	螺帽	Nut	2	2
20	66453-3	警示貼紙	Caveat Paster	1	1
21	240001033	承油盤	Knife Driving Connection Oil Guard	1	1
22	240001034	羊毛氈	Knife Driving Connection Felt	1	1
23	8MB85240607A	螺絲	Screw	1	1
24	240001035	護罩	Frame Chip Guard	1	1
25	240001073	螺椿	Screw	1	1
26	240001071	彈簧	Frame Chip Guard Spring	1	1
27	240001072	螺帽	Nut	1	1
28	240001036	防護罩	Needle Thrad Take-up Guard	1	1
29	8MC04280807A	螺絲	Screw	2	2
30	240A0201	護罩組	Frame Chip Guard Asm	1	1

3.本體與外裝零件(三) 240001 Frame And Cover (3)



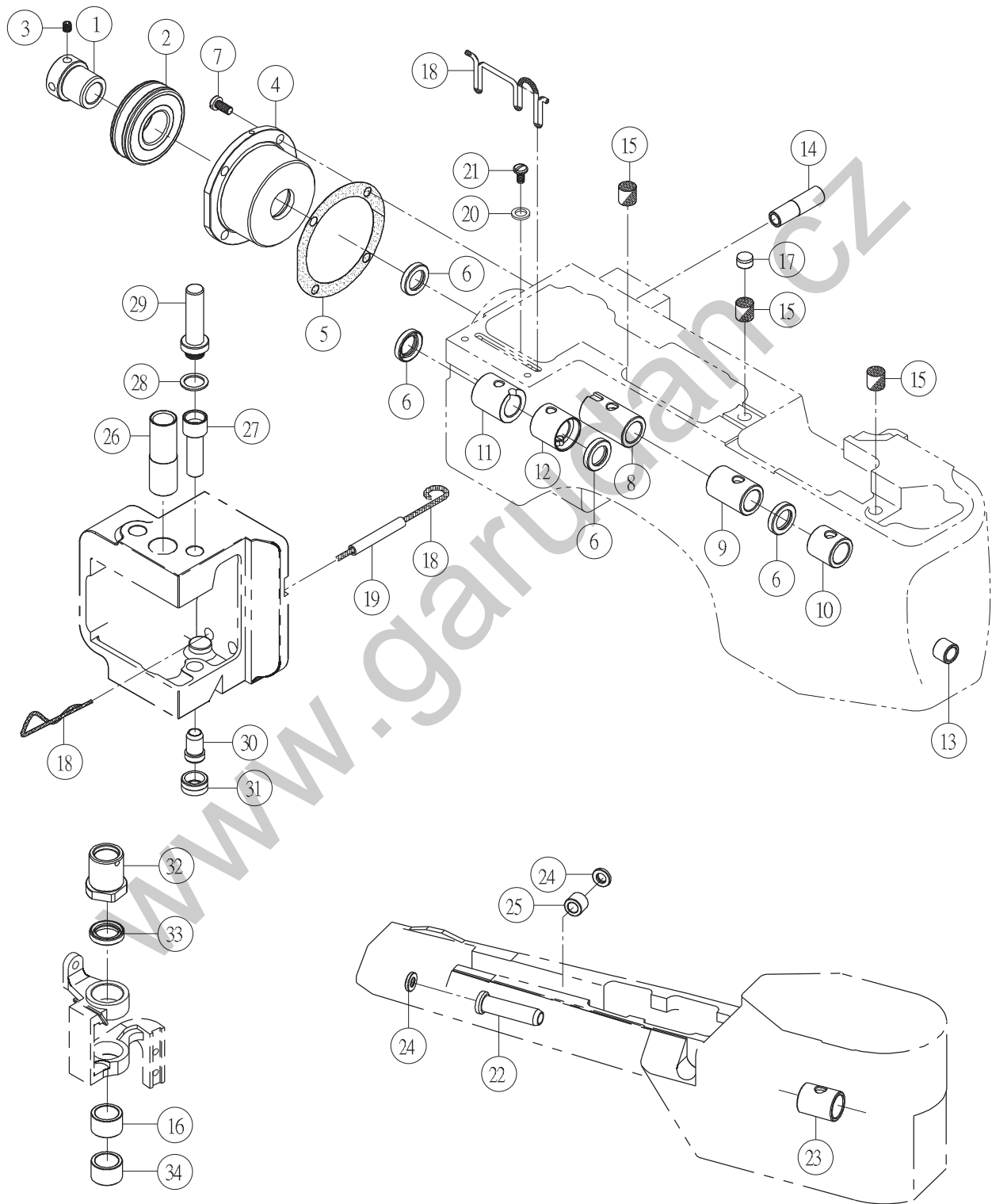


### 3.本體與外裝零件(三) 240001 Frame And Cover (3)

序號	物料編號	名稱		單位	用量
Ref. No.	Parts Number	Description		Amt.	Req.
1	240001002	車頭下座	Sewing Cylindeder		1
2	240001037	封蓋	Sewing Cylindeder Cover		1
3	240001038	油封	Sewing Cylindeder Cover Gasket		1
4	240001039	油面計	Sewing Cylinder Oil Gauge		1
5	8MB85240806B	螺絲	Screw		4
6	240001040	封蓋	Sewing Cylindeder Cover		1
7	240001041	油封	Sewing Cylindeder Cover Gasket		1
8	66470-1	車型銘板	Model Plate		1
9	8MB85240706A	螺絲	Screw		6
10	240001042	孔塞	Plug Screw		1
11	240001043	油環	O-ring		1
12	8ME85240806A	螺絲	Screw		10
13	240001044	搬手	Differential Feed Operating Lever		1
14	90WW105	波形墊圈	Corrugated Washer		1
15	240001046	墊圈	Washer		1
16	2120000735	M3墊圈	Washer		2
17	8MB03200305B	螺絲	Screw		2
18	8MA03200206B	螺帽	Nut		2
19	240001047	刻記板	Differential Feed Adjusting Dial		1
20	240001048	油封	Differential Feed Adjusting Dial Gasket		1
21	90OR060	油環	O-ring		1
22	240001049	變距搖臂	Differential Feed Adjusting Lever		1
23	240001050	封蓋	Feed Drive Shaft Cover		2
24	2400010511	軸端油封	Feed Drive Shaft Cover Gasket		2
25	240001065	孔塞	Plug Screw		1
26	240001064	防漏墊片	Sewing Cylinder Gauge		1
27	240001052	調校偏心銷	Sewing Cylinder Alignment Eccentric Pin		1
28	90ST003E	直梢	Knock Pin		1
29	8SB36400506A	螺絲	Screw		1
*30	240001053	送齒台架封蓋	Sewing Cylinder Cover		1
31	240001054	送齒台架油封	Sewing Cylinder Cover Gasket		1
32	8MB85240807K	螺絲	Screw		8
33	240001055	簧片	Dust Defender		1
34	8SC24560204A	螺絲	Screw		1
35	240001056	簧片	Dust Defender		1
36	8MN05320400A	螺絲	Screw		1
37	90ST001E	直梢	Pin		2
38	240001057	割線刀	Chain-off Cutting Knife		1
39	240001058	線環導軌	Chain-off Cutting Knife Gasket		1
40	8MC04280607D	螺絲	Screw		1
41	8MB04280505M	螺絲	Screw		1
42	240001059	防護罩	Looper Cover		1
43	240001070	定位梢	Pin		1
44	240001060	樞梢	Screw		1
45	8MB85241107A	螺絲	Screw		1
46	2400010611	導線	Looper Thred Guide Wire		1
47	240001062	調壓旋鈕	Looper Cover Spring Support		1
48	240001063	簧片	Looper Cover Spring		1
*49	240001069	鳩尾導軌	Lap Former Guide Plate		1
*50	240001068	鳩尾導軌	Lap Former Guide Plate		1

\* 雙切專用

#### 4. 軸襯與孔塞 240002 Bushing And Plug



## 4. 軸襯與孔塞 240002 Bushing And Plug

序號	物料編號	名稱		單位	用量
Ref. No.	Parts Number	Description		Amt.	Req.
1	2400020011	襯套	Adapter		1
2	90BB204714	滾珠軸承	Ball Bearing		1
3	8MN05320500E	螺絲	Screw		2
4	240002002	軸承座	Bushing Housing		1
5	240002003	油封	Bushing Housing Gasket		1
6	240002027	油封	Oil Seal		4
7	8MB05321007X	螺絲	Screw		4
8	240002004	主軸前軸襯	Crankshaft Bushing		1
9	240002005	主軸中軸襯	Main Shaft Bushing		1
10	240002006	主軸後軸襯	Main Shaft Bushing		1
11	240002007	修刀軸左軸襯	Knife Driving Lever Bushing		1
12	240002008	修刀軸右軸襯	Knife Driving Lever Bushing		1
13	240002009	軸襯	Looper Driving		1
14	240002010	套管	Presser Foot Lifter Stop Plunger Bushing		1
15	240002029	棉線	Oil Wick		2
16	240002025	支架上軸襯	Bushing		1
17	240002012	孔塞	Seal Plug		1
18	66800	棉線	Oil Wick		1
19	66792	塑膠油管	Vinyl Tube		1
21	2100001241	墊圈(W2)	Washer		1
22	8MB95301107K	螺絲	Screw		1
23	240002014	下軸前軸襯	Looper Rocker Shaft Bushing		1
24	240002015	下軸後軸襯	Looper Rocker Shaft Bushing		1
25	240002028	油封	Oil Seal		2
26	240002016	水平調整軸襯	Feed Bar Eccentric Pin Bushing		1
27	240002017	壓腳棒上軸襯	Presser Bar Bushing		1
28	240002018	針棒上軸襯	Needle Bar Bushing		1
29	240002019	墊圈	Gasket		1
30	240002020	針棒軸端護罩	Needle Bar Bushing Lid		1
31	240002021	針棒下軸襯	Needle Bar Bushing		1
32	240002022	油封	Oil Seal		1
33	240002023	壓腳棒下軸襯	Thread Carrier and Hook Sleeve Bushing		1
35	240002026	油封	Oil Seal		1
36	240002030	支架下軸襯	Bushing		1

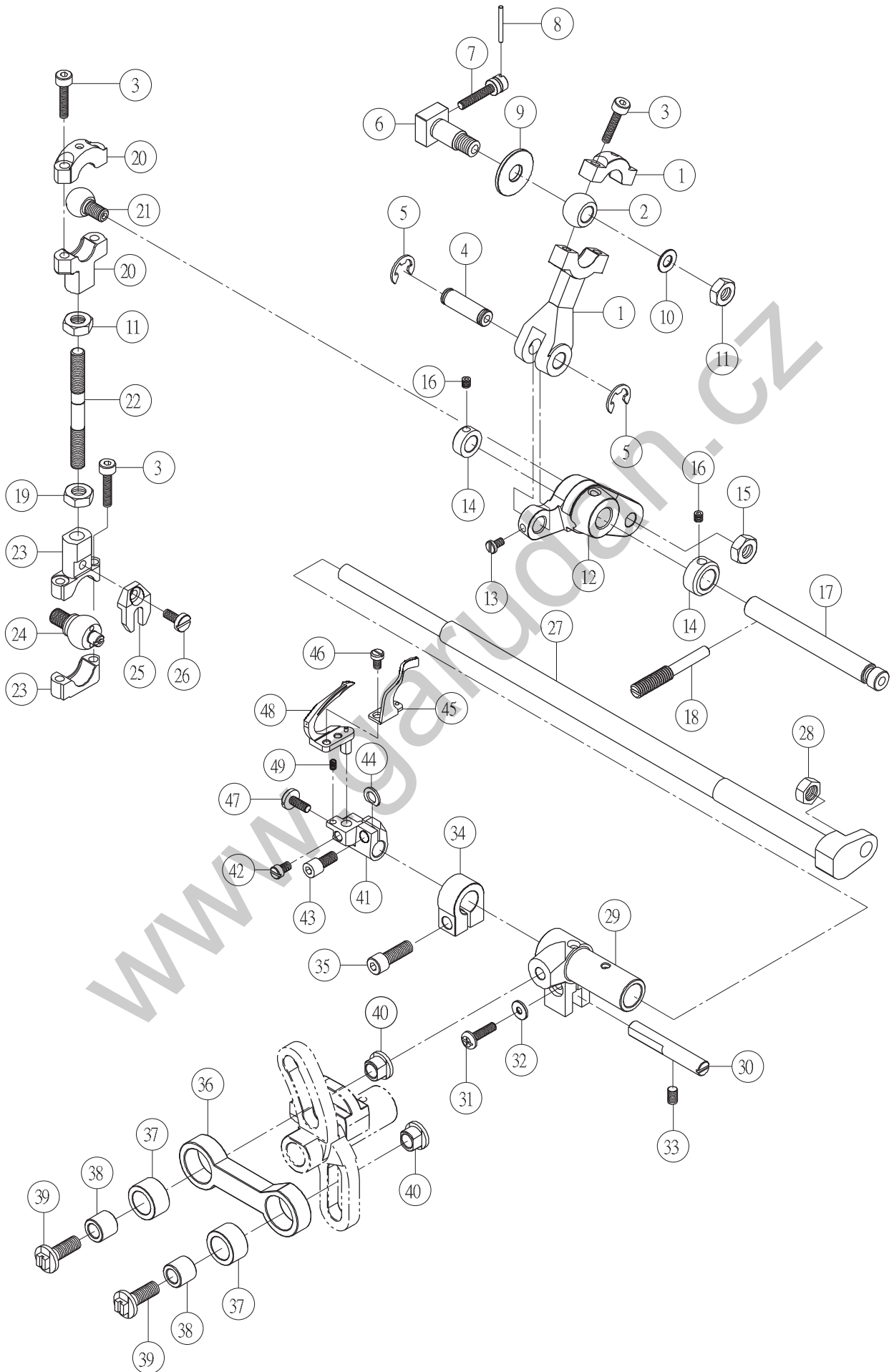


5. 上主軸與直接接合零件 240003 Upper Main Shaft Components

序號	物料編號	名稱		單位	用量
Ref. No.	Parts Number	Description		Amt.	Req.
1	240003001	曲軸	Crankshaft		1
2	240003002	浮動連桿	Thead Carrier and Hook Driving Rod		1
3	90NB202410	滾針軸承	Needle Bering		1
4	240003003	軸承封蓋	Needle Bearing Retaining Plate		1
5	8SF36400705A	螺絲	Screw		2
6	240003004	三角皮帶輪	Pulley		1
7	8MN06401000A	螺絲	Screw		2
8	240003005	定位環	Collar		2
9	8SN44400400E	螺絲	Screw		4
10	240003006	主軸	Main Shaft		1
11	240003012	齒輪	Pump Driving Gear		1
12	8SB32440805A	螺絲	Screw		3
13	90ORP125	油環	O-ring		1
14	240003007	揚線凸輪組	Looper Thread Take-up		1
15	2400030083	揚線凸輪組	Top Cover Thread Take-up		1
16	8SN56320400A	螺絲	Screw		4
17	240003009	限位稍	Positioning Scew		2
18	2400030101	連軸器	Main Shaft Coupling		1
19	8SN64280800C	螺絲	Screw		2
20	8SN64280700A	螺絲	Screw		4
21	240003011	連軸器	Main Shaft Coupling		1
22	8SK44401706A	螺絲	Screw		3
23	240003013	墊圈	Washer		3

www.garudan.cz

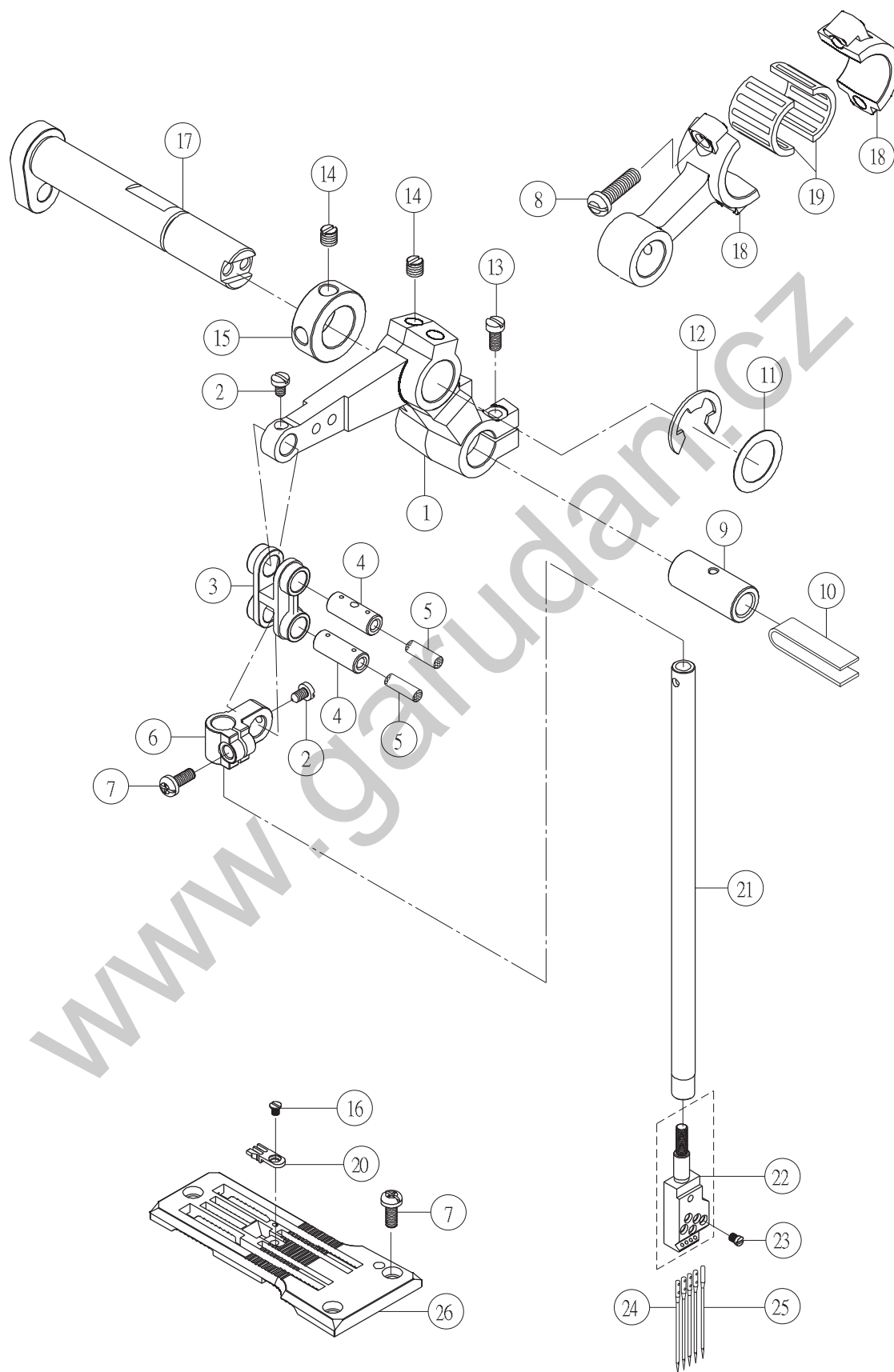
6. 下結線鈎傳動機構 240006 Lower Driving Mechanism



6.下結線鉤傳動機構 240006 Lower Driving Mechanism

序號	物料編號	名稱		單位	用量
Ref. No.	Parts Number	Description		Amt.	Req.
1	240006001	球軸連桿	Looper Lever Driving Rod	1	1
2	240006002	球形關節	Looper Lever Rod Ball	1	1
3	8MM85241407A	螺絲	Screw	6	6
4	240006004	連結銷	Looper Lever Driving Rod Pin	1	1
5	90ER060	E形扣環	E Ring	2	2
6	240006005	變距樞銷	Looper Driving Crank Pin	1	1
7	240006003	調整螺椿	Screw	1	1
8	90SP001E	彈簧銷	Roll Pin for Main Shaft	1	1
9	240006006	墊圈	Washer	1	1
10	240006024	墊圈	Washer	1	1
11	8SA56320409L	螺帽	Nut	2	2
12	240006007	下結線鉤搖臂	Looper Lever	1	1
13	8SB32440505B	螺絲	Screw	1	1
14	240006008	定位環	Collar	2	2
15	8SA56320309A	螺帽	Nut	1	1
16	8SN44400400E	螺絲	Screw	2	2
17	240006009	軸	Looper Lever Shaft	1	1
18	240006010	固定螺椿	Screw	1	1
19	8SA56320409A	螺帽	Nut	1	1
20	240006011	球軸連桿	Looper Driving Connection	1	1
21	240006012	球頭關節	Looper Driving Connection Ball	1	1
22	240006013	連桿	Looper Driving Connection Rod	1	1
23	240012012	球軸連桿	Looper Driving Connection	1	1
24	240006014	球頭關節	Looper Driving Connection Ball	1	1
25	240012013	定向導軌	Steady Fork	1	1
26	8MB85240806B	螺絲	Screw	1	1
27	240006015	下結線鉤軸	Looper Rocker Shaft	1	1
28	8SA64400409B	螺帽	Nut	1	1
29	240006016	滑動套管	Looper Rocker Shaft Sleeve	1	1
30	240006017	導桿	Looper Rocker Shaft Sleeve Gide	1	1
31	8SC36401307D	螺絲	Screw	1	1
32	90TW040708	齒形墊圈	Washer	1	1
33	8MN05320600A	螺絲	Screw	1	1
34	240006018	束圈	Collar	1	1
35	8MM95301407A	螺絲	Screw	1	1
36	240006019	連桿	Looper Avoid Connecting Rod Bushing	1	1
37	90NB001E	滾針軸承	Needle Bearing	2	2
38	2400060201	軸承內輪	Looper Avoid Connecting Rod Bushing	2	2
39	240006021	螺椿	Screw	2	2
40	2400060221	螺帽	Nut	1	1
41	2400060231	結線鉤座	Looper Holder	1	1
42	8SB36400505X	螺絲	Screw	1	1
43	8SM44400906A	螺絲	Screw	1	1
44	240006025	紅色電木墊圈	Packing	1	1
45	-----	導針器	Neddle Guard	See Page	App-2
46	8SB29480305A	螺絲	Screw	2	2
47	8SB36400908A	螺絲	Screw	1	1
48	-----	下結線鉤	Looper	See Page	App-2
49	8SG24560400X	螺絲	Screw	1	1

7. 針棒傳動機構 240009 Needle Bar Components



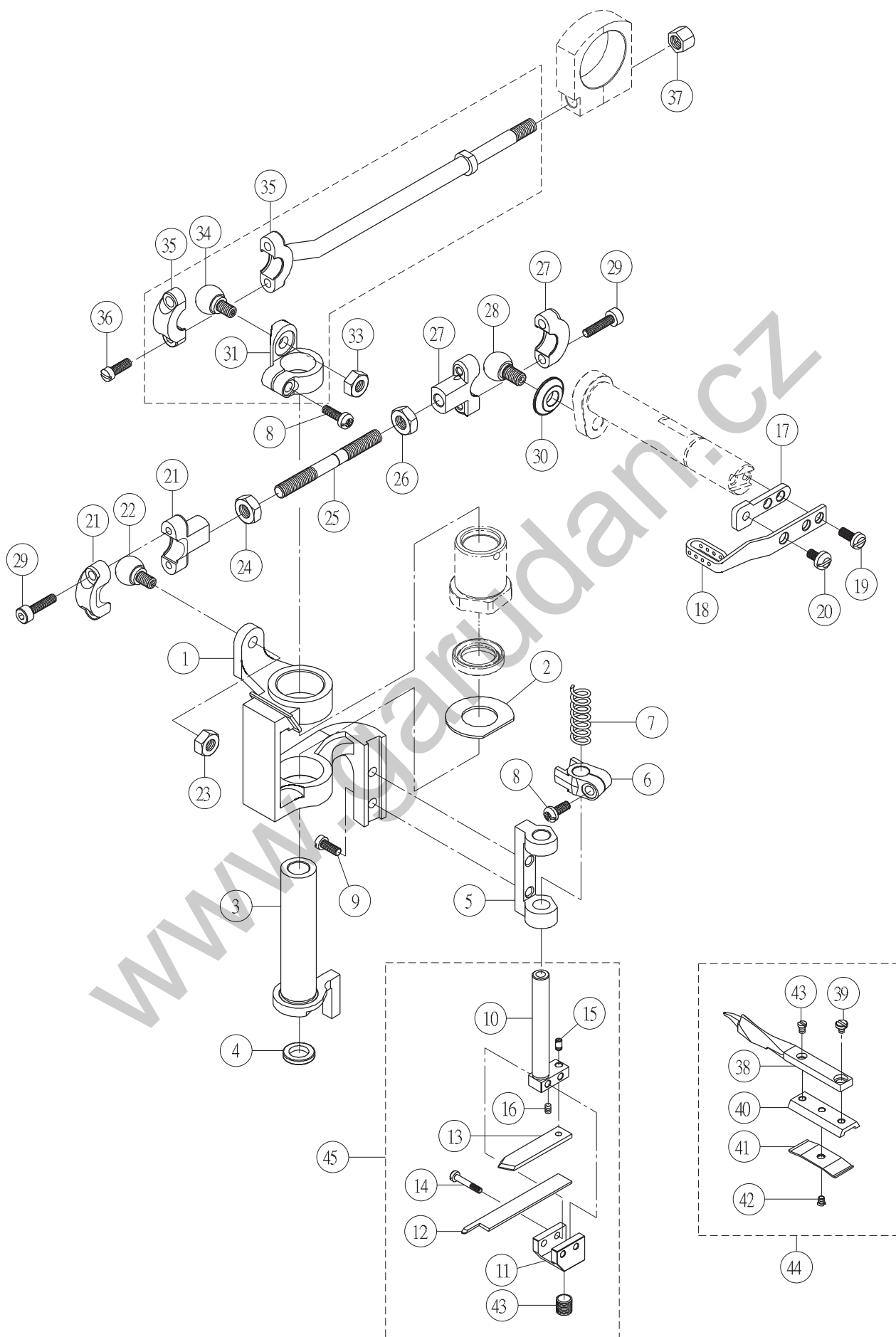


## 7. 針棒傳動機構 240009 Needle Bar Components

序號	物料編號	名稱		單位	用量
Ref. No.	Parts Number	Description		Amt.	Req.
1	240009001	針棒驅動臂	Needle Bar Lever		1
2	8SC32440505C	螺絲	Screw		2
3	240009002	連桿	Needle Bar Connecting Link		1
4	240009003	樞銷	Needle Bar Connecting Link Pin		2
5	66800	棉線	Oil Wick		2
6	240009004	十字接頭	Needle Bar Connecting Bracket		1
7	8SC36400806A	螺絲	Screw		4
8	8SB48321507A	螺絲	Screw		2
9	240009005	樞銷	Needle Bar Lever Connecting Rod		1
10	240009006	羊毛氈	Oil Wick		1
11	240009007	墊圈	Thrust Ring		1
12	90ER100	E形扣環	E Ring		1
13	8SC36401406D	螺絲	Screw		2
14	8MN05320500E	螺絲	Screw		4
15	240009008	定位環	Collar		1
16	8SF24560304B	螺絲	Screw		1
17	240009009	擺動軸	Knife Driving Lever		1
18	240009010	連桿	Needle Bar Lever Connecting Rod		1
19	90NB002E	滾針軸承	Needle Bearing		1
20	-----	針板舌	Stitch Plate Tongue		See Page App-3
21	240009011	針棒	Needle Bar		1
22	-----	針留	Needle		See Page App-1
23	8SC24560303B	螺絲	Screw		5
24	-----	針	Needle		See Page App-2
25	-----	定位針	Retainer		See Page App-2
26	-----	針板	Stitch Plate		See Page App-3

www.garudan.cz

8.上下刀修邊機構 240010 Upper And Lower Knife Components

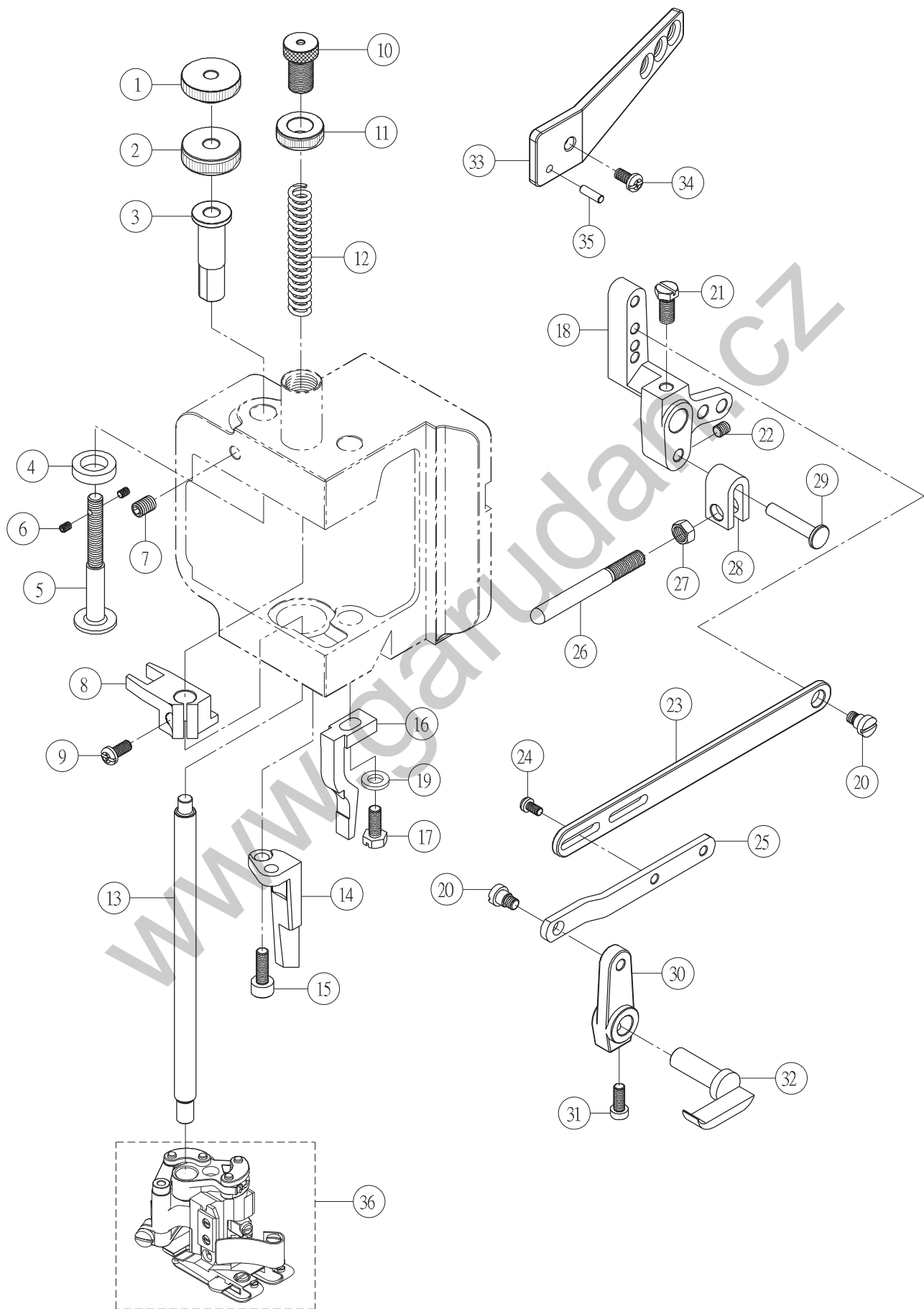


## 8.上下刀修邊機構 240010 Upper And Lower Knife Components

序號	物料編號	名稱		單位	用量
Ref. No.	Parts Number	Description		Amt.	Req.
1	2400100011	支架	Knife Holder Bracket	1	1
2	240010002	墊圈	Washer	1	1
3	2400100031	驅動套管	Carrier/Hook Driving Sleeve	1	1
4	240010004	油封	Oil Seal	1	1
5	240010005	活動刀架	Knife Holder Shank Support	1	1
6	240010006	定向叉	Knife Holder Guide Collar	1	1
7	240010007	壓縮彈簧	Knife Holder Spring	1	1
8	8SB36401006A	螺絲	Screw	1	1
9	8SC36400807A	螺絲	Screw	2	2
10	240010021	刀柄	Knife	1	1
11	240010008	刀片夾	Knife Holder	1	1
12	240010009	刀片	Upper Knife	1	1
13	240010010	壓板	Knife Support	1	1
14	8SB24561304B	螺絲	Screw	2	2
15	8SB24560302M	螺絲	Screw	1	1
16	8SG24560400X	螺絲	Screw	1	1
17	240010011	結合片	Bracket	1	1
18	240010012	揚線臂	Needle Thread Take-up	1	1
19	8MB85240807K	螺絲	Screw	2	2
20	8MB85240607A	螺絲	Screw	1	1
21	240012035	球軸連桿	Knife Driving Connection	1	1
22	240010019	球軸關節	Rod Ball	1	1
23	8SA48320308B	螺帽	Nut	1	1
24	8SA56320409A	螺帽	Nut	1	1
25	240006013	連桿	Knife Driving Connection Rod	1	1
26	8SA56320409L	螺帽	Nut	1	1
27	240010016	球軸連桿	Knife Driving Connection	1	1
28	240006012	球軸關節	Rod Ball	1	1
29	8MM85241407A	螺絲	Screw	4	4
30	240010017	止震墊圈	Steady Washer	1	1
31	240010018	套管接頭	Carrier Hook Sleeve Lever	1	1
32	8SB36401006A	螺絲	Screw	1	1
33	8SA48320308B	螺帽	Nut	1	1
34	240010019	球軸關節	Rod Ball	1	1
35	2400100201	球軸拉桿	Carrier Hook Driving Rod	1	1
36	8SM36401106A	螺絲	Screw	2	2
37	8SA56320608A	螺帽	Nut	1	1
38	5240FG001	疊縫導模	Lap Former	1	1
39	8SB24560405B	螺絲	Screw	1	1
40	240010022	導模座	Lap Former Slide Block	1	1
41	240010023	簧片	Lap Former Slide Block Spring	1	1
42	8SF24560402C	螺絲	Screw	1	1
43	8SN64400600A	螺絲	Screw	1	1
44	8SB24560404B	螺絲	Screw	1	1
*45	240A0801	疊縫導模組	Lap Former Asm		
46	240A0803	刀柄組	Knife Asm		

\* 雙切專用

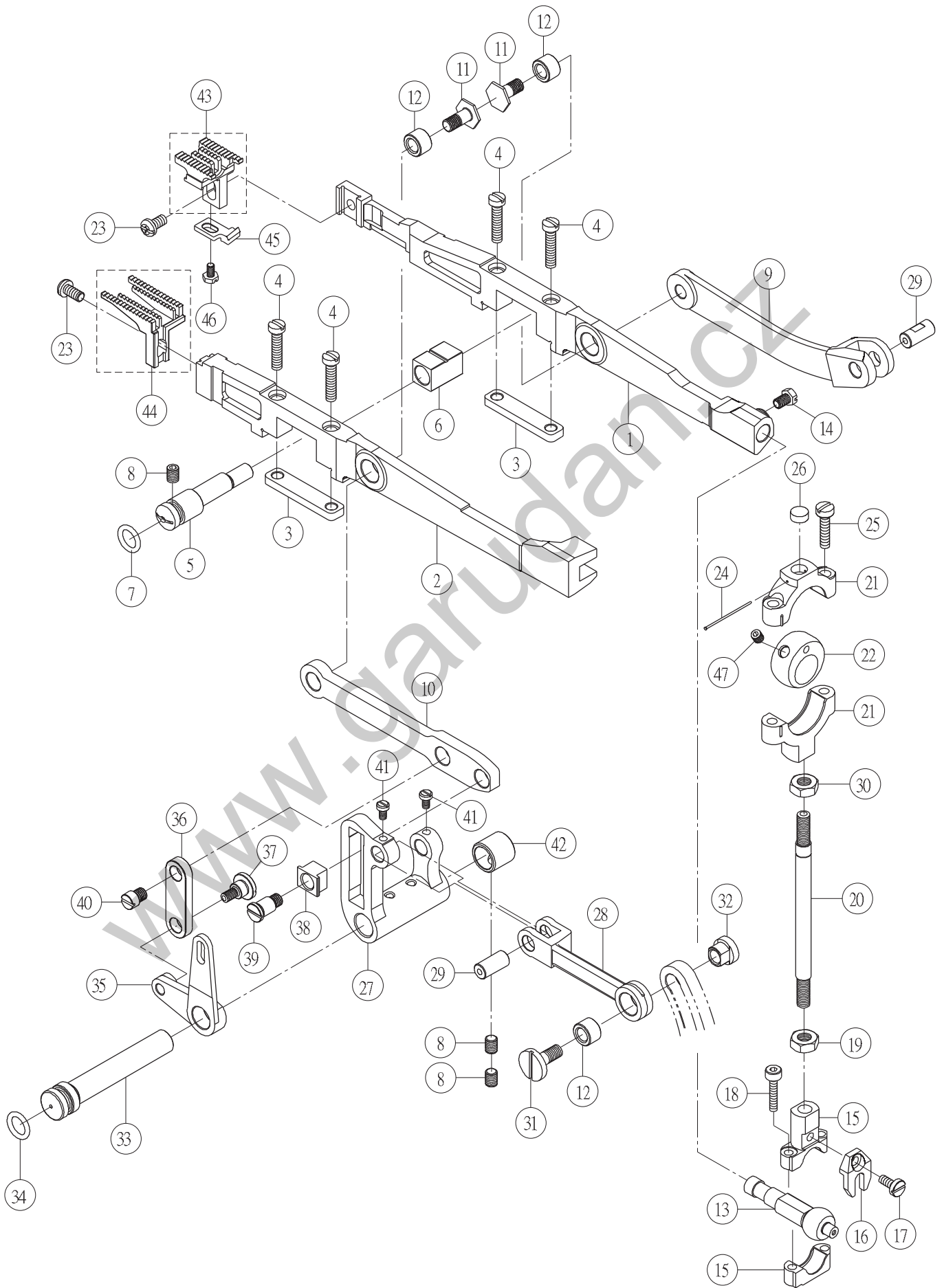
9.壓腳提昇機構 240011 Press Foot Components



## 9.壓腳提昇機構 240011 Press Foot Components

序號	物料編號	名稱		單位	用量
Ref. No.	Parts Number	Description		Amt.	Req.
1	2400110011	旋鈕	Adjusting Nut	1	1
2	240011002	固定螺帽	Lock Nut	1	1
3	240011003	壓腳定向滑柱	Presser Bar Guide	1	1
4	240011004	緩衝墊	Connecting Bracket Cushion	1	1
5	240011005	調整螺椿	Presser Foot Adjusting Screw	1	1
6	8MN03200500A	螺絲	Screw	1	1
7	8MN06400800A	螺絲	Screw	1	1
8	240011006	壓腳定向叉	Presser Bar Connecting Bracket	1	1
9	8SB44400907D	螺絲	Screw	1	1
10	240011007	調壓螺椿	Adjusting Screw	1	1
11	240011008	固定螺帽	Lock Nut	1	1
12	240011009	壓縮彈簧	Presser Spring	1	1
13	240011010	壓腳棒	Presser Bar	1	1
14	240011011	壓腳左導柱	Presser Foot Guide	1	1
15	8MM05321409A	螺絲	Screw	2	2
16	240011012	壓腳右導柱	Presser Foot Guide	1	1
17	8MK05321608A	螺絲	Screw	1	1
18	240011013	壓腳提昇連桿	Presser Bar Lifter Lever	1	1
19	240011014	連結板	Lifter Lever Supplementary Plate	1	1
20	8SB48320808G	螺椿	Screw	5	5
21	8SK56321208A	螺絲	Screw	1	1
22	8MN05320500E	螺絲	Screw	1	1
23	240011015	拉桿	Presser Foot Lifter Lever Link	1	1
24	8SC36400608A	螺絲	Screw	2	2
25	240011016	拉桿	Presser Foot Lifter Lever Link	1	1
26	240011017	止動銷	Presser Foot Lifter Stop Plunger	1	1
27	8SA64320408A	螺帽	Nut	1	1
28	240011018	接頭	Stop Plunger Segment	1	1
29	240011019	梢	Stop Plunger Segment Pin	1	1
30	240011020	連桿	Presser Bar Lifter Lever	1	1
31	8SM56320810A	螺絲	Screw	1	1
32	240011021	壓腳提昇頂板	Presser Bar Lifter Lever	1	1
33	240011022	拉桿	Presser Foot Connecting Lever	1	1
34	8MK05321008A	螺絲	Screw	1	1
35	90SP0310	彈簧銷	Pin	1	1
36	5240PF01	壓腳組	Presser Foot Asm.	See Page App-3	
37	2200001025	墊圈	Washer	1	1

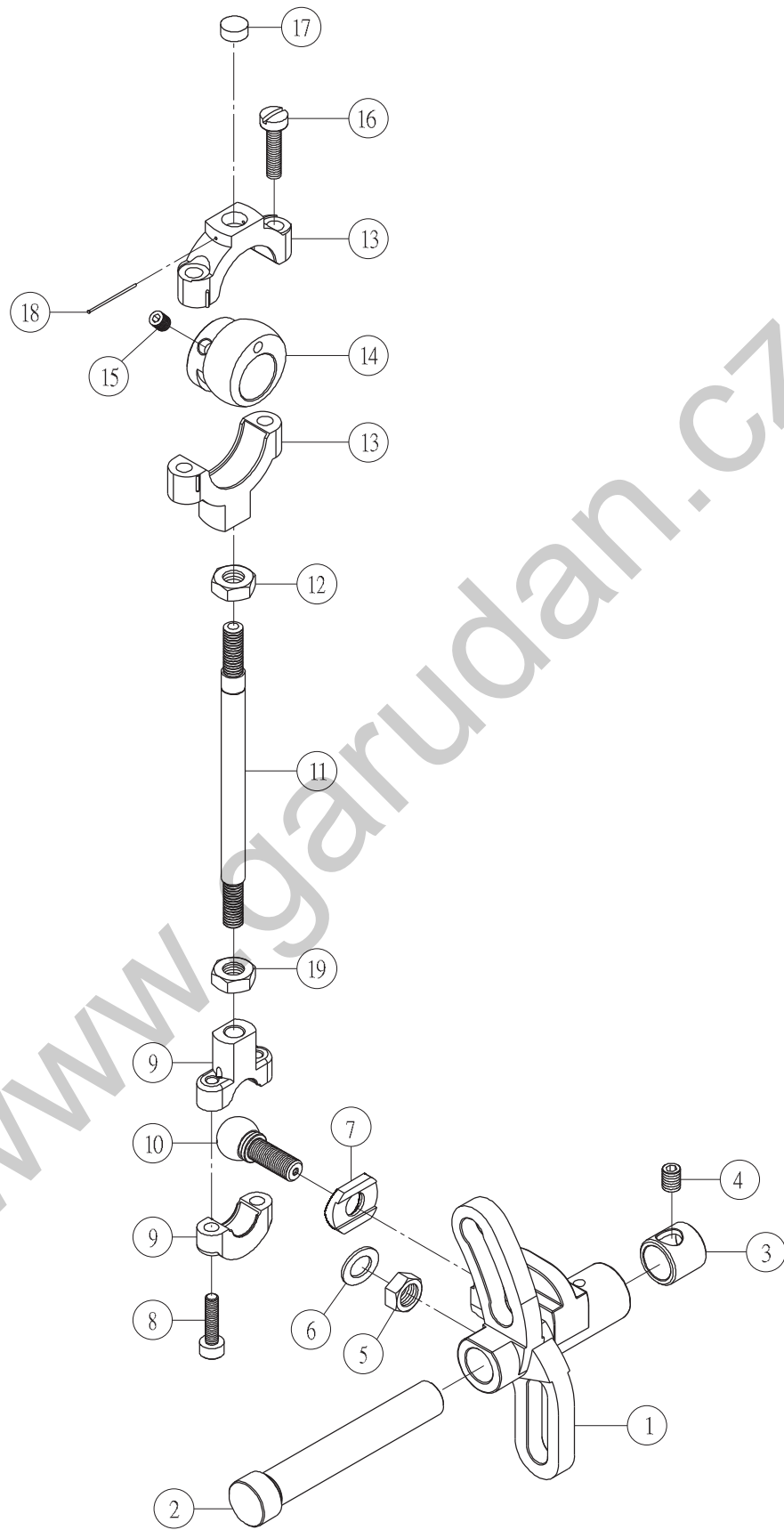
10. 送齒台差動機構 240012 DIFF. Feed Driveing Mechanism



10. 送齒台差動機構 240012 DIFF. Feed Driveing Mechanism

序號	物料編號	名稱	單位	用量
Ref. No.	Parts Number	Description	Amt.	Req.
1	240012001	主動送布齒台架	Main Feed Bar	1
2	240012002	差動送布齒台架	Differential Feed Bar	1
3	240012003	導槽封蓋	Feed Bar Plate	2
4	8SC44401906A	螺絲	Screw	4
5	240012004	送齒傾斜度調整銷	Feed Bar Eccentric Pin	1
6	240012005	滑塊	Feed Bar Slide Block	1
7	90ORP8	油環	O-ring	1
8	8MN05320600A	螺絲	Screw	3
9	240012007	拉桿	Main Feed Bar Driving Link	1
10	240012008	拉桿	Differential Feed Bar Driving Link	1
11	240012009	螺椿	Screw	2
12	240012010	軸承	Feed Rocker Link Bushing	3
13	240012011	球軸	Feed Lift Connection Ball	1
14	8SK44400606A	螺絲	Screw	1
15	240012012	球軸連桿	Feed Lift Connection	1
16	240012013	定向導軌	Steady Fork	1
17	8MB85240806B	螺絲	Screw	1
18	8MM85241407A	螺絲	Screw	2
19	8SA56320409A	螺帽	Nut	1
20	240012014	連桿	Feed Lift Eccentric Connecting	1
21	240012015	球軸連桿	Feed Lift Connection	1
22	240012016	球形關節	Feed Lift Connection Ball	1
23	8SC44400808B	螺絲	Screw	2
24	2120001253	大頭針	Pin	1
25	8MC04281607A	螺絲	Screw	2
26	240012040	棉線	Oil Wick	1
27	240012017	擺動臂	Feed Rocker	1
28	240012018	拉桿	Feed Rocker Link	1
29	240012019	連結銷	Feed Rocker Link Pin	2
30	8SA56320409L	螺帽	Nut	1
31	240012020	樞銷螺椿	Screw	1
32	240012021	螺帽	Nut	1
33	240012022	軸	Feed Rocker Shaft	1
34	90ORP9	油環	O-ring	1
35	240012024	差動變換臂	Differential Feed Adjusting Lever	1
36	240012025	連桿	Differential Feed Adjusting Link	1
37	240012026	樞銷螺椿	Screw	1
38	240012027	滑塊	Differential Feed Bar Driving Link Slider	1
39	240012028	樞銷螺椿	Screw	1
40	240012029	驅動銷	Screw	1
41	8SB32440505B	螺絲	Screw	2
42	240012030	軸襯	Feed Rocker Shaft Bushing	1
43	-----	主動送布齒	Main Feed Dog	See Page APP-3
44	-----	差動送布齒	Differential Feed Dog	See Page APP-3
45	-----	導針器	Needle	See Page APP-2
46	8SK32440506A	螺絲	Screw	1
47	8SN44400400E	螺絲	Screw	1
48				

11. 送齒台進給機構 240012 Feed Driving Mechanism



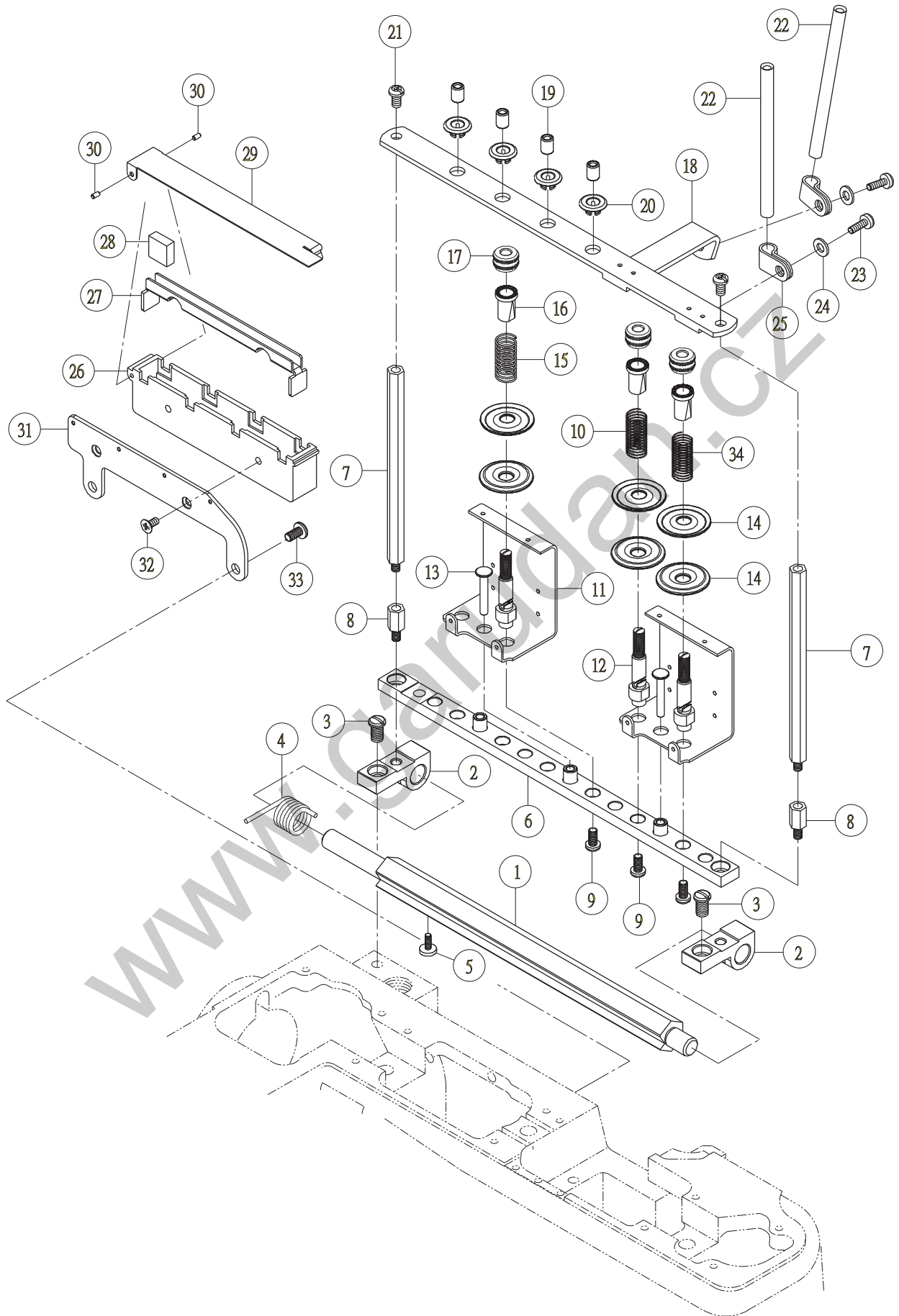


11. 送齒台進給機構 240012 Feed Driveing Mechanism

序號	物料編號	名稱		單位	用量
Ref. No.	Parts Number	Description		Amt.	Req.
1	240012031	變距搖臂	Feed Dive/Looper Avoid Lever	1	1
2	240012032	軸	Feed Dive Shaft	1	1
3	240012030	軸襯	Feed Drive Shaft Bushing	1	1
4	8MN05320600A	螺絲	Screw	1	1
5	8SA64400409B	螺帽	Nut	1	1
6	240012039	墊圈	Washer	1	1
7	240012034	止震墊圈	Steady Washer	1	1
8	8MM85241407A	螺絲	Screw	2	2
9	240012035	球軸連桿	Feed Drive Connection	1	1
10	240012036	球軸	Feed Drive Connection Ball	1	1
11	240012038	連桿	Feed Drive Eccentric Connecting	1	1
12	8SA56320409L	螺帽	Nut	1	1
13	240012015	球軸連桿	Feed Drive Connection	1	1
14	240012037	球軸關節	Feed Drive Connection Ball	1	1
15	8SN44400400E	螺絲	Screw	2	2
16	8MC04281607A	螺絲	Screw	2	2
17	240012040	棉線	Oil Wick	1	1
18	2120001253	大頭針	Pin	1	1
19	8SA56320409A	螺帽	Nut	1	1

www.garudan.cz

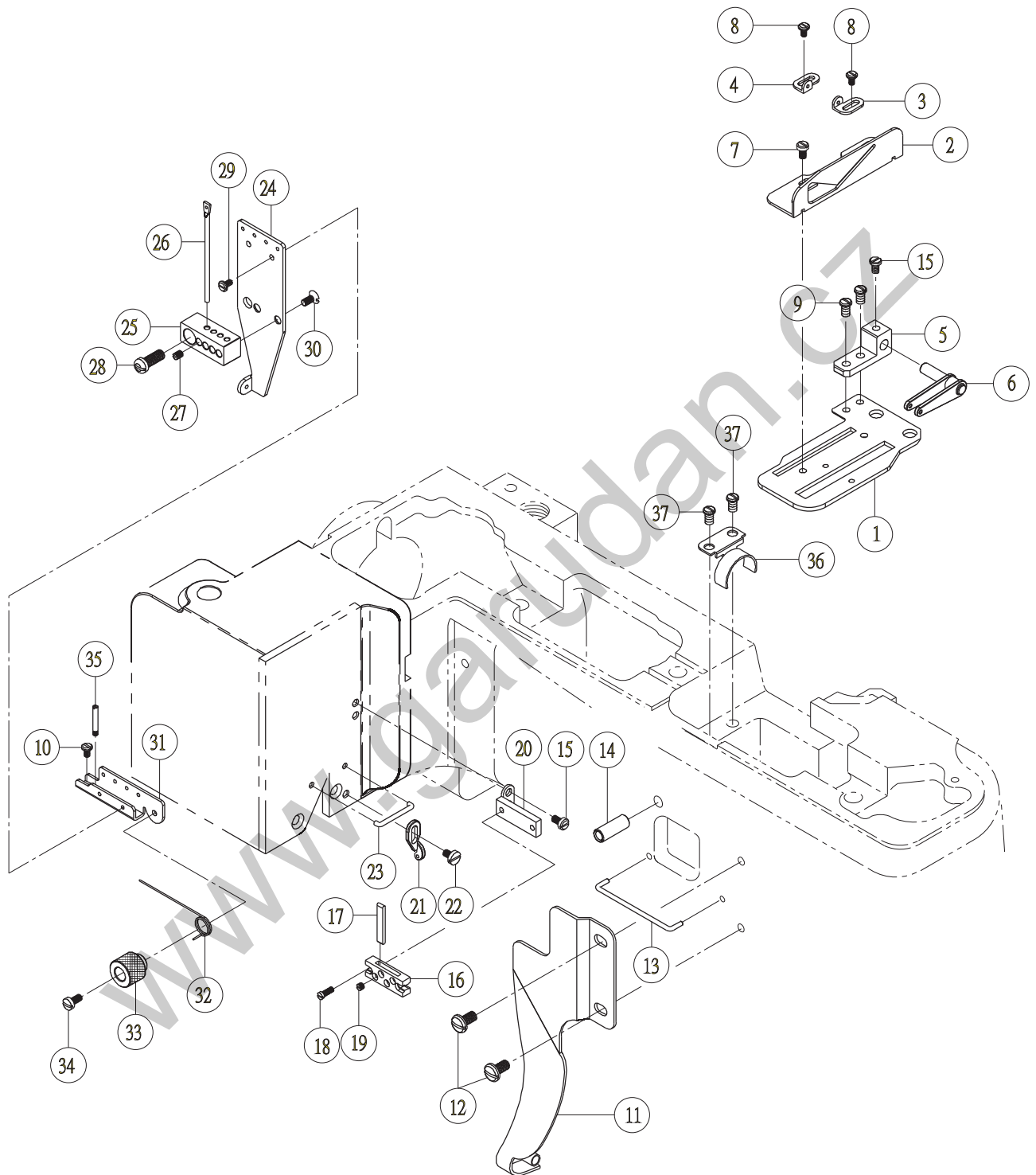
12. 縫線張力控制機構(一) 240013 Thread Tension Components(1)



## 12. 縫線張力控制機構(一) 240013 Thread Tension Components(1)

序號	物料編號	名稱		單位用量
Ref. No.	Parts Number	Description		Amt. Req.
1	240013001	驅動桿	Tension Release Shaft	1
2	240013002	支架	Thread Tension Support Bracket	2
3	8MM06401210X	螺絲	Screw	2
4	240013003	彈簧	Tension Release Shaft Spring	1
5	8SC32440608A	螺絲	Screw	1
6	240013004	承桿	Thread Tension Support	1
7	240013005	立柱	Thread Guide Plate Support	2
8	240013006	接頭	Screw	2
9	8SC44400808B	螺絲	Screw	6
10	240013047	彈簧	Top Cover Thread Tension Spring	1
11	240013008	導線	Thread Tension Disc Eyelet	3
12	240013009	螺樁	Tension Post	6
13	240013010	挺桿	Tension Release-Pin	7
14	240013007	張力控制盤	Thread Tension Disc	12
15	240013012	彈簧	Needle Thread Tension Spring	4
16	240013013	套管	Tension Spring Bushing	6
17	240013014	螺帽	Nut	6
18	240013015	導線孔座	Thread Guide Plate	1
19	240013016	導線套	Thread Eyelet	4
20	240013017	導線	Thread Eyelet Bushing	4
21	8SC44400807D	螺絲	Screw	2
22	2200000327	導線管	Therad Pipe	2
23	8SC36400607A	螺絲	Screw	2
24	2100000223	墊圈	Washer	2
25	2120051010	管夾	Thread Pipe Stay	2
26	240013020	矽油槽	SP Container	1
27	240013021	羊毛氈座	SP Felt Stay	1
28	240013022	羊毛氈	SP Felt	4
29	240013023	油槽蓋	Oil Cup Lid	1
30	9OSP0210	彈簧銷	Hinge Pin	2
31	240013024	支架	SP Container Support	1
32	8TE85520608A	螺絲	Screw	2
33	8MC95300808E	螺絲	Screw	2
34	240013046	彈簧	Looper Thread Tension Spring	1

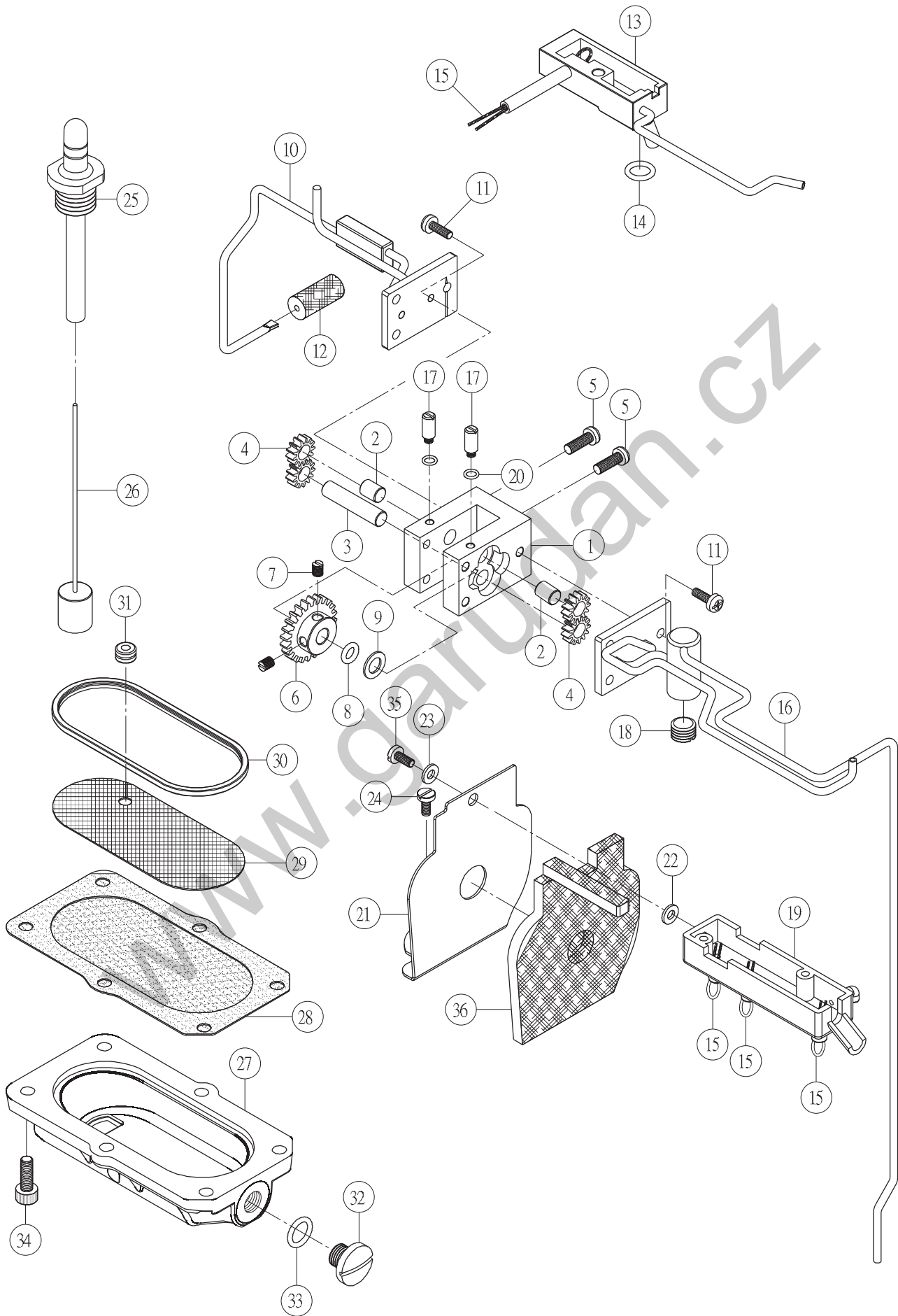
13. 縫線張力控制機構(二) 240013 Thread Tension Components(2)



## 13. 縫線張力控制機構(二) 240013 Thread Tension Components(2)

序號	物料編號	名稱		單位	用量
Ref. No.	Parts Number	Description		Amt.	Req.
1	2400130251	導線座板	Eyelet Supporting Plate		1
2	240013026	導線板	Looper Thread Take-up Guide		1
3	240013027	右導線	Looper Thread Take-up Eyelet(Front)		1
4	240013028	左導線	Looper Thread Take-up Eyelet(Rear)		1
5	2400130291	面線導線架	Thread Take-up Eyelet Holder		1
6	240013030	面線導線	Thread Take-up Eyelet		1
7	8SB32440305B	螺絲	Screw		2
8	8SB24560305B	螺絲	Screw		2
9	8SB32440405B	螺絲	Screw		2
10	8SB32440606A	螺絲	Screw		1
11	240013031	護線罩	Looper Thread Guard		1
12	8MC95300808E	螺絲	Screw		2
13	240013032	導線	Looper Thread Guide Wire		1
14	240013033	導線管	Top Cover Thread Pipe		1
15	8SB32440505B	螺絲	Screw		3
16	240013034	針線頂桿座	Needle Thread Strike-off Pin Holder		1
17	240013035	針線頂桿	Needle Thread Strike-off Pin		4
18	8SC24560704A	螺絲	Screw		2
19	8SG32440200A	螺絲	Screw		4
20	240013036	支架	Needle Thread Strike-off Pin Holder Bracket		1
21	240013037	導線	Hend Cove Thread Eyelet		1
22	8SB32440506A	螺絲	Screw		1
23	240013038	導線	Needle Thread Guide Wire		1
24	240013039	導線板座	Needle Thread Eyelet Holder		1
25	240013040	導線桿座	Needle Thread Eyelet Holder		1
26	2220000364	導線桿	Needle Therad Eyelet		4
27	8SG32440400A	螺絲	Screw		4
28	8MB95301106K	螺絲	Screw		1
29	8SB24560405B	螺絲	Screw		2
30	8SE32440406X	螺絲	Screw		2
31	240013042	針線止逆壓簧座	Stitch Unlocker Mounting Bracket		1
32	240013043	針線止逆壓簧	Stitch Unlocker Spring		1
33	2400130441	調壓旋鈕	Stitch Unlocker Spring Holder		1
34	8SC32440606A	螺絲	Screw		1
35	240013045	限位梢	Pin		1
36	240013048	纏線護罩	Guard Cover		1
37	8MB04280407A	螺絲	Screw		2

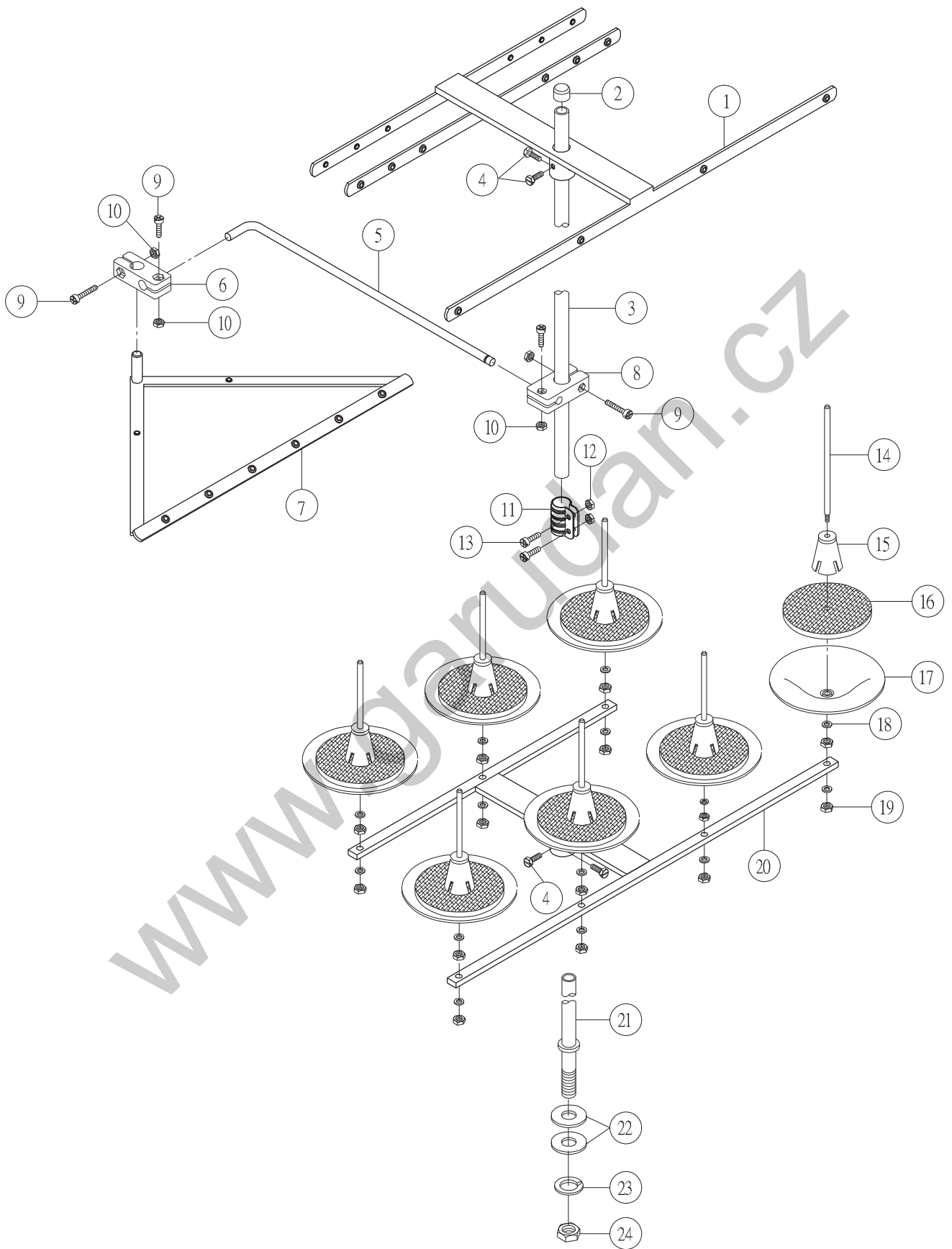
14. 潤滑冷卻機構 240015 Lubrication Components



14. 潤滑冷卻機構 240015 Lubrication Components

序號	物料編號	名稱		單位用量
Ref. No.	Parts Number	Description		Amt. Req.
1	240015001	泵座	Pump Housing	1
2	240015002	軸	Pump Gear Shaft	2
3	240015003	軸	Pump Gear Shaft	1
4	240015004	齒輪	Oil Pump Gear	4
5	8SB44401208A	螺絲	Screw	2
6	240015005	齒輪	Pump Driven Gear	1
7	8SG44400500A	螺絲	Screw	2
8	90OR060	油環	O-ring	1
9	240015006	墊圈	Washer	1
10	240015007	左封蓋	Pump Housing Cover Unit	1
11	8SC36401007D	螺絲	Screw	6
12	240015008	濾清網	In-take Filter	1
13	240015009	分油槽	Oil Reciver	1
14	90ORP9	油環	O-ring	1
15	66800	棉線	Oil Wick	4
16	240015010	右封蓋	Pump Housing Cover Unit	1
17	240015025	螺絲	Screw	2
18	8MG10600600A	螺絲	Screw	1
19	240015011	分油槽	Oil Reciver	1
20	90OR040	油環	O-ring	2
21	2400150121	防塵蓋	Theard Take-up Oil Defense Unit	1
22	240015022	墊圈	Washer	1
23	240015023	墊圈	Washer	1
24	8MB85240807K	螺絲	Screw	1
25	240015013	油面計	Crank Chamber Oil Gauge Unit	1
26	240015014	浮標	Oil Height Indicator	1
27	240015015	承油盤	Oil Reservoir	1
28	240015016	油封	Oil Reservoir Rubber Seal	1
29	240015017	濾網	Oil Filter Screen	1
30	240015018	濾網框邊	Oil Filter Screen Rubber Seal	1
31	240015019	油管襯套	Rubber Bushing	1
32	2400010111	油盤孔塞	Drain Hole Screw	1
33	90ORP10	油環	O-ring	1
34	8MM05321409A	螺絲	Screw	6
35	8TC85520806A	螺絲	Screw	1
36	240015021	羊毛氈	SP Felt	1

15. 66713 7線線架組 Thread Stand COMPONENTS



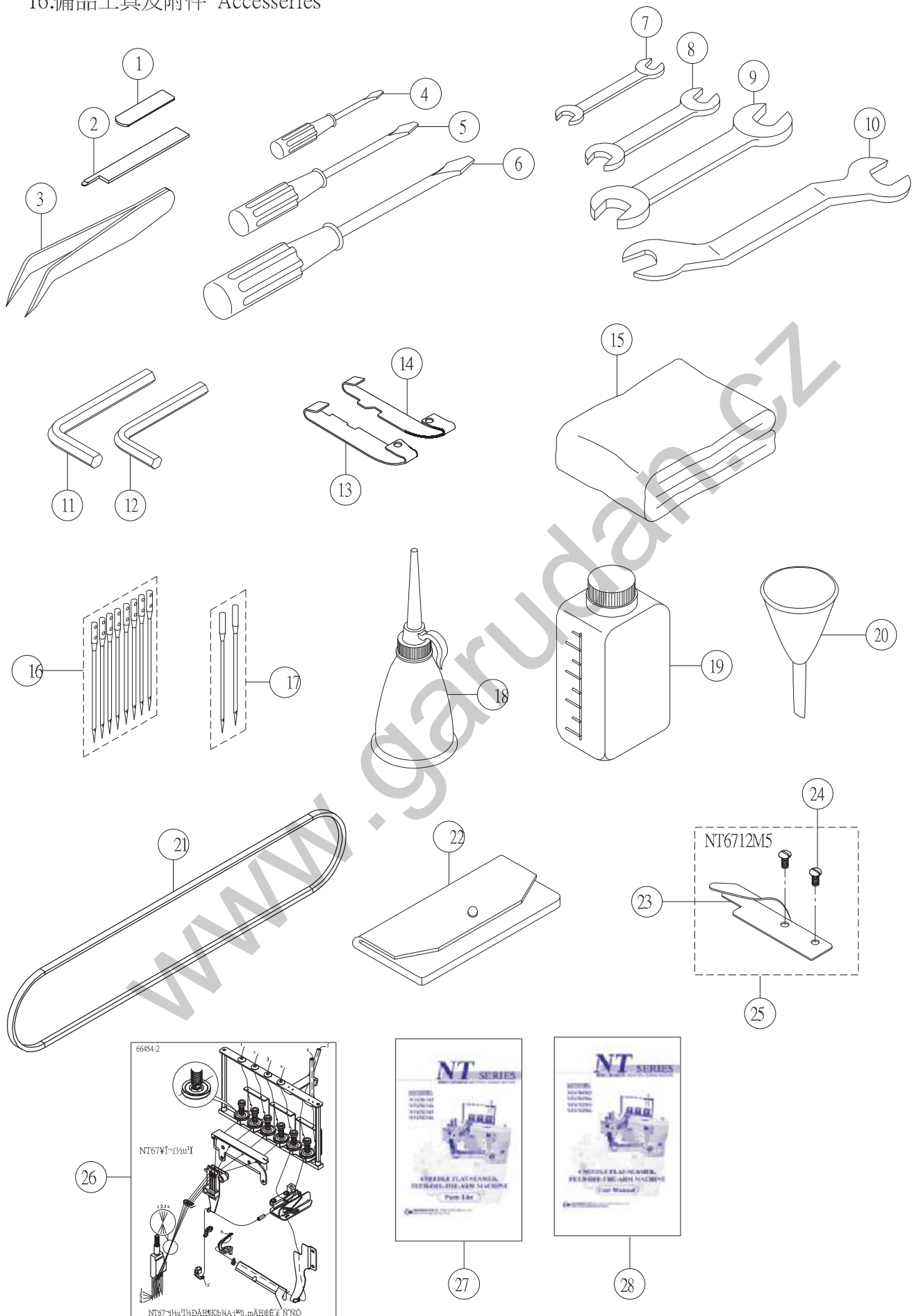


15. 66713 7線線架組 Thread Stand COMPONENTS

序號	物料編號	名稱		單位用量
Ref. No.	Parts Number	Description		Amt. Req.
1	667131	導線臂	Thread Guide	1
2	667132	柱帽	Rod Cup	2
3	667133	上柱	Upper Thread Stand Rod	1
4	667134	螺絲	Screw	4
5	667135	旋臂	Arm	1
6	667136	接頭	Bracket	1
7	667137	導線桿	Thread Guide	1
8	667138	接頭	Bracket	1
9	667139	螺絲	Screw	4
10	6671310	螺帽	Nut	4
11	6671311	接頭	Joint	1
12	6671312	螺帽	Nut	2
13	6671313	螺絲	Screw	2
14	6671314	線盤軸	Spool Pin	7
15	6671315	定心錐	Spool Retaining Fig	7
16	6671316	緩衝墊	Seat	7
17	6671317	線盤	Spool Tray	7
18	6671318	墊圈	Washer	14
19	6671319	螺帽	Nut	14
20	6671320	線盤座	Thread Guide	1
21	6671321	下柱	Lower Thread Stand Rod	1
22	6671322	墊圈	Washer	2
23	6671323	彈簧墊圈	Washer	1
24	6671324	螺帽	Nut	1

www.garudan.cz

16. 備品工具及附件 Accessories











16.備品工具及附件 Accesseries









序號	物料編號	名稱		單位用量
Ref. No.	Parts Number	Description		Amt.Req.
1	-----	固定刀片	Lower Knife	See Page APP-1
2	240010009	刀片	Upper Knife	1
3	66690	夾子	Tweezers	1
4	66667	小平口起子	Screwdriver	1
5	66666	中平口起子	Screwdriver	1
6	66665	長平口起子	Screwdriver	1
7	66630	開口板手5.5/7MM	Wrench	1
8	66628	開口板手6/7MM	Wrench	1
9	66629	開口板手8/9MM	Wrench	1
10	66625	開口板手12/14MM	Wrench	1
11	66637	六角板手4MM	All Key 4MM	1
12	66636	六角板手3MM	All Key 3MM	1
13	5240PF0223	簧片補助壓腳底	Presser Foot Spring Plate	1
14	5240PF0222	簧片補助壓腳底	Presser Foot Spring Plate	1
15	66847	防塵罩	Cover	1
16	-----	針	Needle	See Page APP-2
17	-----	定位針	Retainer	See Page APP-2
18	66721	油壺	Oiler	1
19	66717	油灌	Oil Container	1
20	66723	油漏斗	Oil Funnel	1
21	90ANM31	M31三角皮帶	V-shaped belt	1
22	66831	工具袋	Accessories bag	1
23	668601	導模	Lap Former	1
24	8SC24560305B	螺絲	Screw	2
25	66860	導模組	Lap Former Asm	1
26	66454-2	穿線圖貼紙	Threading Diagram For NT67	1
27	6NT6301-1-05-07	零件冊	Instruction Manual	1
28	6NT6202-1-05-07	使用說明書	Parts List	1

www.garudan.cz

NT67系列車型零件一覽表 Series Gauge Parts List

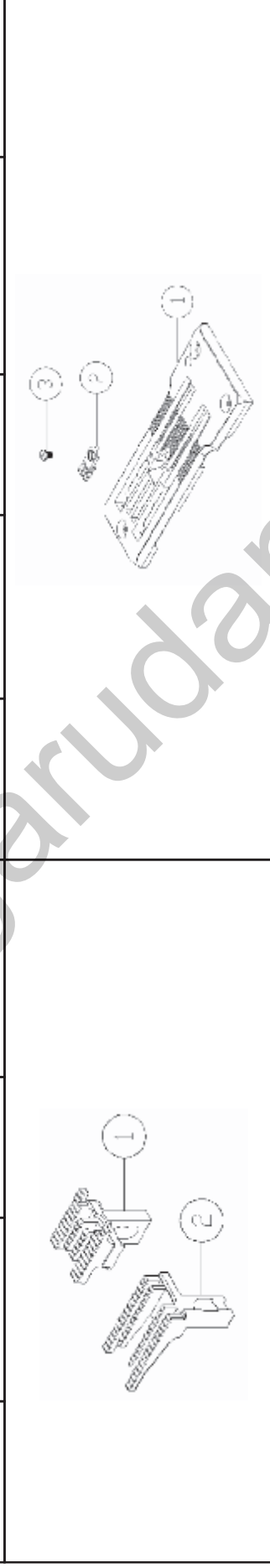
機型								
Models	針板組 Stitch Plate Set	壓腳組 Presser Foot Set	導布舌 Guide Plate	彈性襯墊 Spring Plate	固定刀片 Lower Knife	送布齒組 Dog Set	上飾縫結鈎 Carrier	上飾縫結鈎 Hook
NT67-01M5	5240TP003	5240PF02	/	5240PF0215(左) 5240PF0214(右)	5240PF0109	5240DG02	5240SL001	5240SL002
NT67-01M6	5240TP004	5240PF04	/	5240PF0215(左) 5240PF0224(右)	5240PF0109	5240DG02	5240SL001	5240SL002
NT67-03M5	5240TP003	5240PF05	/	5240PF0515(左) 5240PF0514(右)	5240PF0109	5240DG02	/	/
NT67-03M6	5240TP004	5240PF13	/	5240PF0515(左) 5240PF0514(右)	5240PF0109	5240DG02	/	/
NT67-03AM5	5240TP003	5240PF06	5240PF0602	5240PF0615(左) 5240PF0614(右)	5240PF0109	5240DG02	/	/
NT67-03BH5	5240TP003	5240PF12	5240PF1202	5240PF1215(左) 5240PF0714(右)	5240PF0709	5240DG02	/	/
NT67-12M5	5240TP001	5240PF01	5240PF01022	5240PF0115(左) 5240PF0114(右)	5240PF0109	5240DG01	5240SL001	5240SL002
NT67-12M6	5240TP002	5240PF03	5240PF01022	5240PF0115(左) 5240PF0114(右)	5240PF0109	5240DG01	5240SL001	5240SL002
NT67-12H5	5240TP001	5240PF07	5240PF0702	5240PF0715(左) 5240PF0714(右)	5240PF0709	5240DG01	5240SL001	5240SL002
NT67-12H6	5240TP002	5240PF09	5240PF0702	5240PF0715(左) 5240PF0714(右)	5240PF0709	5240DG01	5240SL001	5240SL002
NT67-12AH5	5240TP001	5240PF10	5240PF1002	5240PF1015(左) 5240PF1014(右)	5240PF0709	5240DG01	5240SL001	5240SL002

NT67系列車型零件一覽表 Series Gauge Parts List

機型								
Models	下結線鉤 Looper	針留 Needle Clamp	導針器 Needle Guard	導針器 Needle Guard	疊縫導模 Forwer	活動刀片 Upper Knife	縫針 Needle retainer	定位針 Needle retainer
NT67-01M5	5240LL02	5240NC001	5240NG001	5240NG002	/	240010009	66728-10	66728
NT67-01M6	5240LL02	5240NC002	5240NG001	5240NG002	/	240010009	66728-10	66728
NT67-03M5	5240LL02	5240NC001	5240NG001	5240NG002	/	240010009	66728-10	66728
NT67-03M6	5240LL02	5240NC002	5240NG001	5240NG002	/	240010009	66728-10	66728
NT67-03AM5	5240LL02	5240NC001	5240NG001	5240NG002	5240FG001	240010009	66728-10	66728
NT67-03BH5	5240LL02	5240NC001	5240NG001	5240NG002	5240FG004	240010027	66728-11	66728
NT67-12M5	5240LL02	5240NC001	5240NG001	5240NG002	5240FG001	240010009	66728-10	66728
NT67-12M6	5240LL02	5240NC002	5240NG001	5240NG002	5240FG001	240010009	66728-10	66728
NT67-12H5	5240LL02	5240NC001	5240NG001	5240NG002	5240FG006	240010027	66728-11	66728
NT67-12H6	5240LL02	5240NC002	5240NG001	5240NG002	5240FG006	240010027	66728-11	66728
NT67-12AH5	5240LL02	5240NC001	5240NG001	5240NG002	5240FG004	240010027	66728-11	66728

NT67系列組件(零件)一覽表

機型 Models	送布齒組件編號 Dog Set	1 主送布齒 Feed Dog	2 差動送布齒 Differential Feed Dog	機型 Models	針板組件編號 Stitch Plate Set	1 針板 Stitch plate	2 針板舌 Stitch Plate Tongue	3 螺絲 Screw
NT67-01M5	5240DG02	5240FD002	5240DF001	NT67-01M5	5240TP003	5240TP003A	5240TP001B	8SF24560304B
NT67-01M6	5240DG02	5240FD002	5240DF001	NT67-01M6	5240TP004	5240TP004A	5240TP002B	8SF24560304B
NT67-03M5	5240DG02	5240FD002	5240DF001	NT67-03M5	5240TP003	5240TP003A	5240TP001B	8SF24560304B
NT67-03M6	5240DG02	5240FD002	5240DF001	NT67-03M6	5240TP004	5240TP004A	5240TP002B	8SF24560304B
NT67-03AM5	5240DG02	5240FD002	5240DF001	NT67-03AM5	5240TP003	5240TP003A	5240TP001B	8SF24560304B
NT67-03BH5	5240DG02	5240FD002	5240DF001	NT67-03AM5	5240TP003	5240TP003A	5240TP001B	8SF24560304B
NT67-12M5	5240DG01	5240FD001	5240DF001	NT67-12M5	5240TP001	5240TP001A	5240TP001B	8SF24560304B
NT67-12M6	5240DG01	5240FD001	5240DF001	NT67-12M6	5240TP002	5240TP002A	5240TP002B	8SF24560304B
NT67-12H5	5240DG01	5240FD001	5240DF001	NT67-12H5	5240TP001	5240TP001A	5240TP001B	8SF24560304B
NT67-12H6	5240DG01	5240FD001	5240DF001	NT67-12H6	5240TP002	5240TP002A	5240TP002B	8SF24560304B
NT67-12AH5	5240DG01	5240FD001	5240DF001	NT67-12AH5	5240TP001	5240TP001A	5240TP001B	8SF24560304B



# NT67-01M 系列 壓腳組件(零件)一覽表

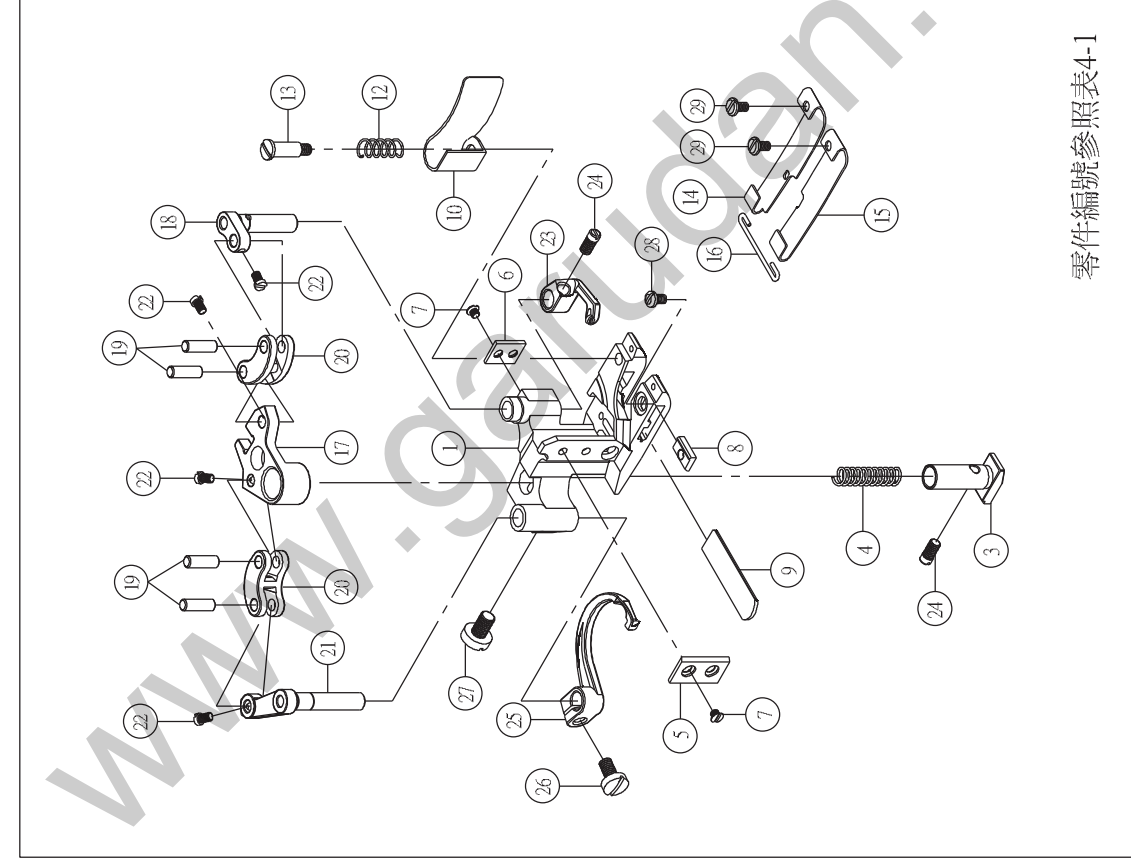
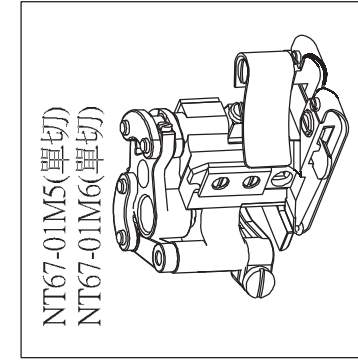


表4-1

序號	零件編號	名稱	數量
1	參照表4-3	壓腳底	1
3	5240PF0203	後壓腳	1
4	5240PF0204	壓縮彈簧	1
5	5240PF0105	壓腳定向墊片(左)	1
6	5240PF0106	壓腳定向墊片(右)	1
7	8SF24560402C	螺絲	4
8	5240PF02081	楔片	1
9	5240PF0109	固定刀片	1
10	5240PF0110A	導布屑	1
12	5240PF0112	壓縮彈簧	1
13	8SB32400604G	螺絲	1
14	參照表4-4	簧片輔助壓腳底(右)	1
15	5240PF0215	簧片輔助壓腳底(左)	1
16	5240PF0116	簧片鎖鉤	1
17	5240PF0117	驅動叉	1
18	參照表4-5	傳動連桿	1
19	5240PF0119	連桿梢	4
20	5240PF01201	連桿	2
21	參照表4-6	傳動連桿	1
22	8SB24560404B	螺絲	4
23	5240SL001	上節縫結勾	1
24	8SB32440503A	螺絲	2
25	5240SL002	上節縫結線勾	1
26	8SC36400707A	螺絲	1
27	8SC44400708A	螺絲	1
28	8SC32440406B	螺絲	1
29	8SB24560203A	螺絲	2

表4-2

機型	壓腳組件編號
NT67-01M5	5240PF02
NT67-01M6	5240PF04

表4-3

機型	壓腳組件編號
NT67-01M5	5240PF02011
NT67-01M6	5240PF0401

表4-4

機型	壓腳組件編號
NT67-01M5	5240PF0214
NT67-01M6	5240PF0224

表4-5

機型	壓腳組件編號
NT67-01M5	5240PF0118
NT67-01M6	5240PF01182

表4-6

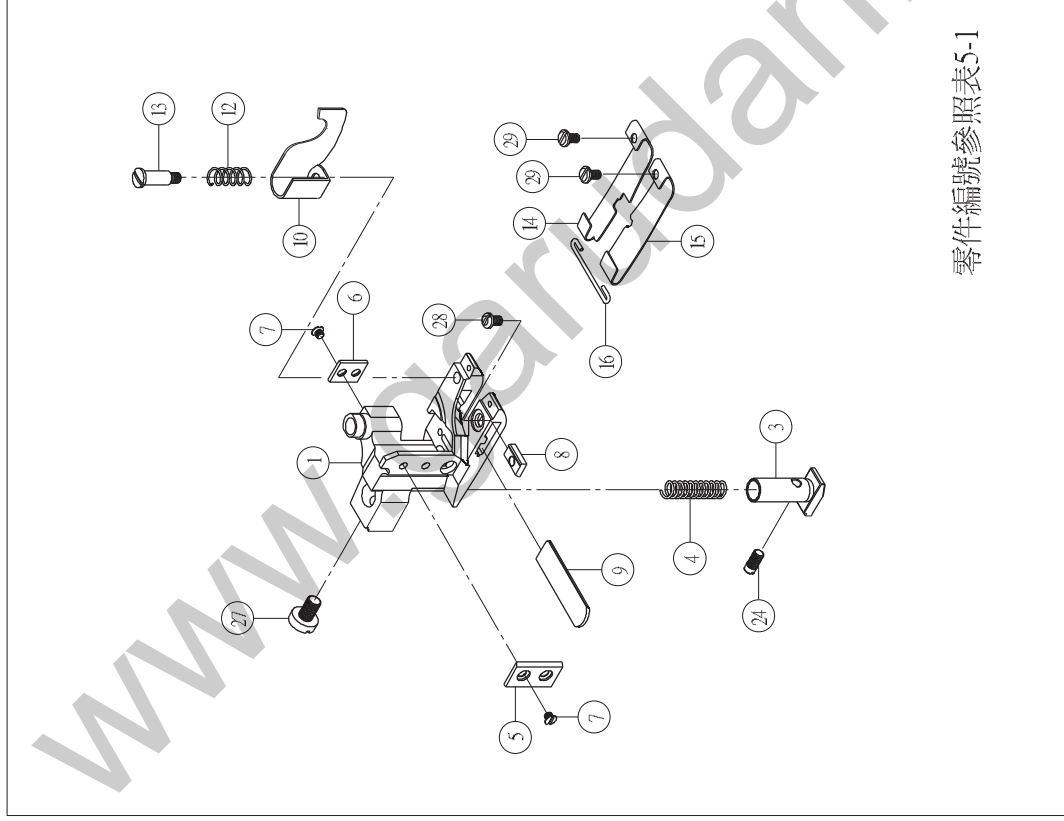
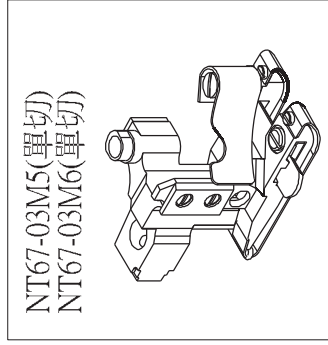
機型	壓腳組件編號
NT67-01M5	5240PF01211
NT67-01M6	5240PF01212

零件編號參照表4-1

# NT67-03 系列 壓腳組件(零件)一覽表

表5-1

序號	零件編號	名稱	數量
1	參照表5-3	壓腳底	1
3	5240PF0203	後壓腳	1
4	5240PF0204	壓縮彈簧	1
5	5240PF0105	壓腳定向墊片(左)	1
6	5240PF0106	壓腳定向墊片(右)	1
7	8SF24560402C	螺絲	4
8	5240PF02081	楔片	1
9	5240PF0109	固定刀片	1
10	5240PF0510	導布屑	1
12	5240PF0112	壓縮彈簧	1
13	8SB32400604G	螺絲	1
14	5240PF0514	簧片輔助壓腳底(右)	1
15	5240PF0515	簧片輔助壓腳底(左)	1
16	5240PF0116	簧片鎖鉤	1
24	8SB32440503A	螺絲	1
27	8SC44400708A	螺絲	1
28	8SC32440406B	螺絲	1
29	8SB24560203A	螺絲	2



零件編號參照表5-1

表5-2

機型	壓腳組件編號
NT67-03M5	5240PF05
NT67-03M6	5240PF13

表5-3

機型	壓腳組件編號
NT67-03M5	5240PF0501
NT67-03M6	5240PF1301



# NT67-03AM系列 壓腳組件(零件)一覽表

表4-1

序號	零件編號	名稱	數量
1	5240PF0601	壓腳底	1
2	5240PF0602	壓腳底導模	1
3	5240PF0103	後壓腳	1
4	5240PF0204	壓縮彈簧	1
5	5240PF0105	壓腳定向墊片(左)	1
6	5240PF0106	壓腳定向墊片(右)	1
7	8SF24560402C	螺絲	5
8	5240PF01081	楔片	1
9	5240PF0709	固定刀片	1
10	5240PF0610	導布屑	1
11	5240PF0111	承座	1
12	5240PF0112	壓縮彈簧	1
13	8SB32400604G	螺絲	1
14	5240PF0614	簧片輔助壓腳底(右)	1
15	5240PF0615	簧片輔助壓腳底(左)	1
16	5240PF0116	簧片鎖鉤	1
24	8SB32440503A	螺絲	1
27	8SC44400708A	螺絲	1
28	8SC32440406B	螺絲	1
29	8SB24560203A	螺絲	2

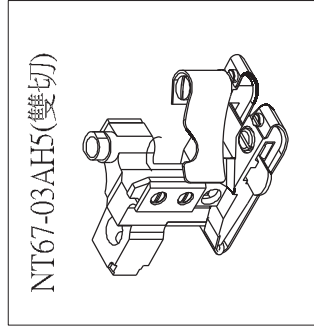
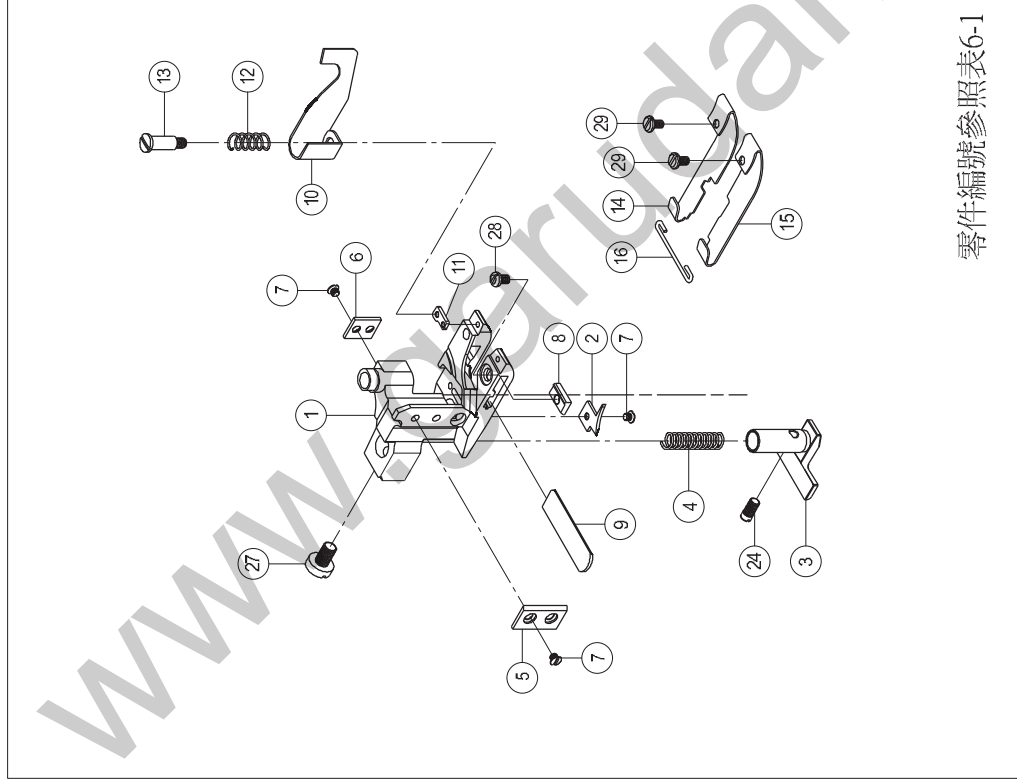


表6-2

機型	壓腳組件編號
NT67-03AM5	5240PF06



零件編號參照表6-1

# NT67-03BH系列 壓腳組件(零件)一覽表

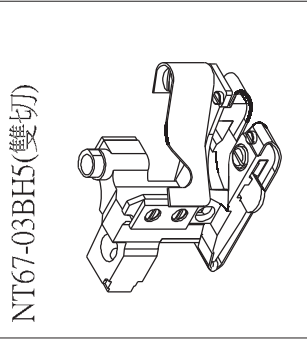
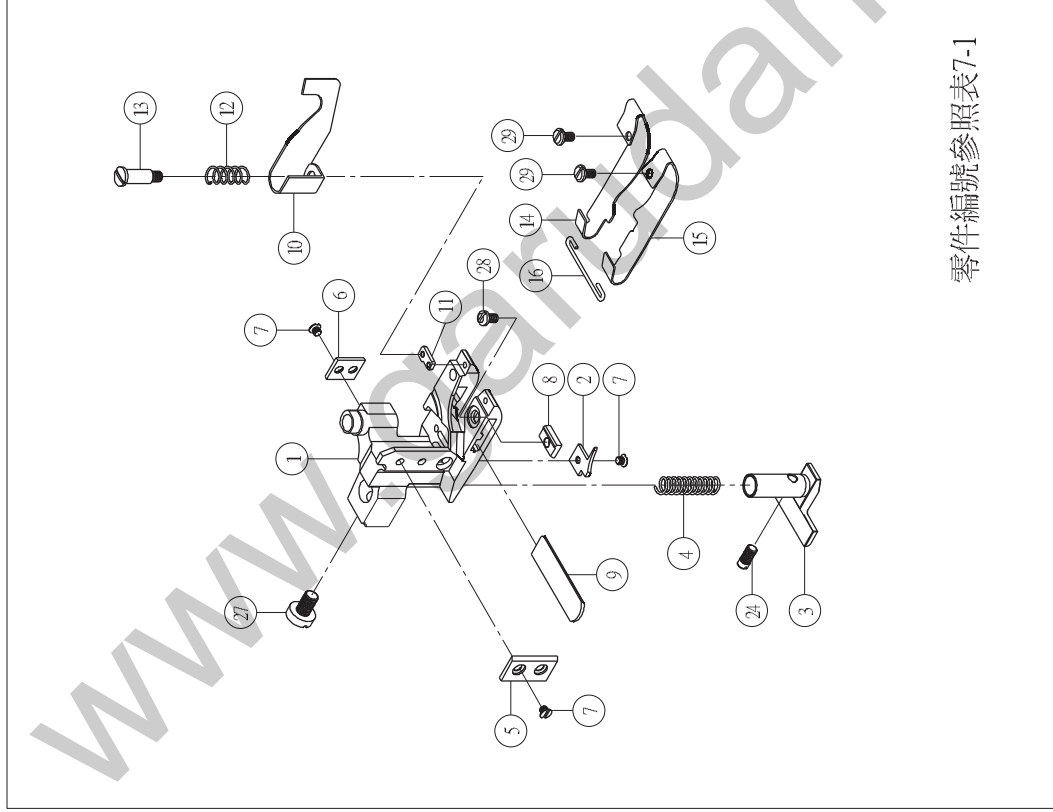


表7-2

機型	壓腳組件編號
NT67-03BH5	5240PF12

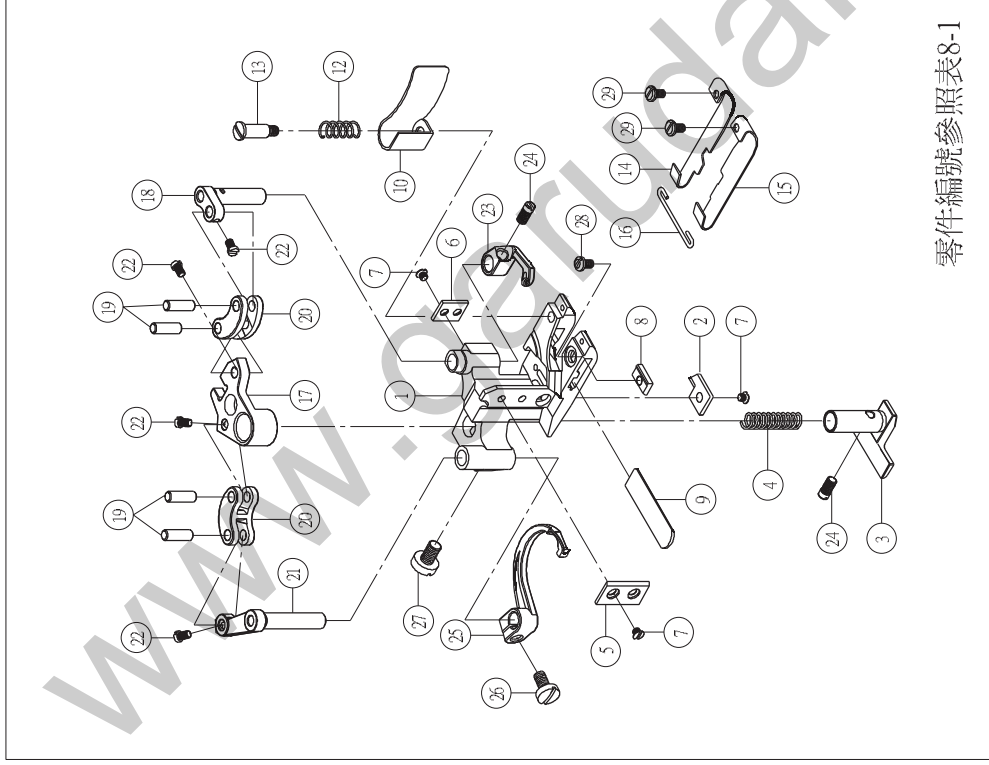
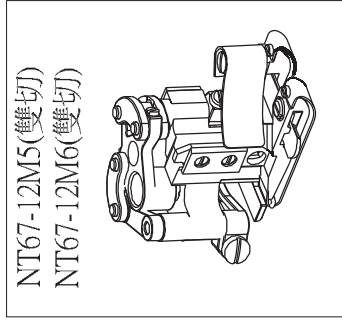
表7-1

序號	零件編號	名稱	數量
1	5240PF1201	壓腳底	1
2	5240PF1202	壓腳底導模	1
3	5240PF0103	後壓腳	1
4	5240PF0204	壓縮彈簧	1
5	5240PF0105	壓腳定向墊片(左)	1
6	5240PF0106	壓腳定向墊片(右)	1
7	8SF24560402C	螺絲	5
8	5240PF01081	楔片	1
9	5240PF0709	固定刀片	1
10	5240PF1210	導布屑	1
11	5240PF0111	承座	1
12	5240PF0112	壓縮彈簧	1
13	8SB32400604G	螺絲	1
14	5240PF0714	簧片輔助壓腳底(右)	1
15	5240PF1215	簧片輔助壓腳底(左)	1
16	5240PF0116	簧片鎖鉤	1
24	8SB32440503A	螺絲	1
27	8SC44400708A	螺絲	1
28	8SC32440406B	螺絲	1
29	8SB24560203A	螺絲	2



零件編號參照表7-1

# NT67-12M系列 壓腳組件(零件)一覽表



零件編號參照表8-1

表8-1

序號	零件編號	名稱	數量
1	參照表8-3	壓腳底	1
2	5240PF01022	壓腳底導模	1
3	5240PF0103	後壓腳	1
4	5240PF01041	壓縮彈簧	1
5	5240PF0105	壓腳定向墊片(左)	1
6	5240PF0106	壓腳定向墊片(右)	1
7	8SF24560402C	螺絲	5
8	5240PF01081	楔片	1
9	5240PF0109	固定刀片	1
10	5240PF0110A	導布屑	1
12	5240PF0112	壓縮彈簧	1
13	8SB32400604G	螺絲	1
14	5240PF0114	簧片輔助壓腳底(右)	1
15	5240PF0115	簧片輔助壓腳底(左)	1
16	5240PF0116	簧片鎖鉤	1
17	5240PF0117	驅動叉	1
18	參照表8-4	傳動連桿	1
19	5240PF0119	連桿梢	4
20	5240PF01201	連桿	2
21	參照表8-5	傳動連桿	1
22	8SB24560404B	螺絲	4
23	5240SL001	上飾縫結勾	1
24	8SB32440503A	螺絲	2
25	5240SL002	上飾縫結線勾	1
26	8SC36400707A	螺絲	1
27	8SC44400708A	螺絲	1
28	8SC32440406B	螺絲	1
29	8SB24560203A	螺絲	2

表8-2

機型	壓腳組件編號
NT67-12M5	5240PF01
NT67-12M6	5240PF03

表8-3

機型	壓腳組件編號
NT67-12M5	5240PF01011
NT67-12M6	5240PF0301

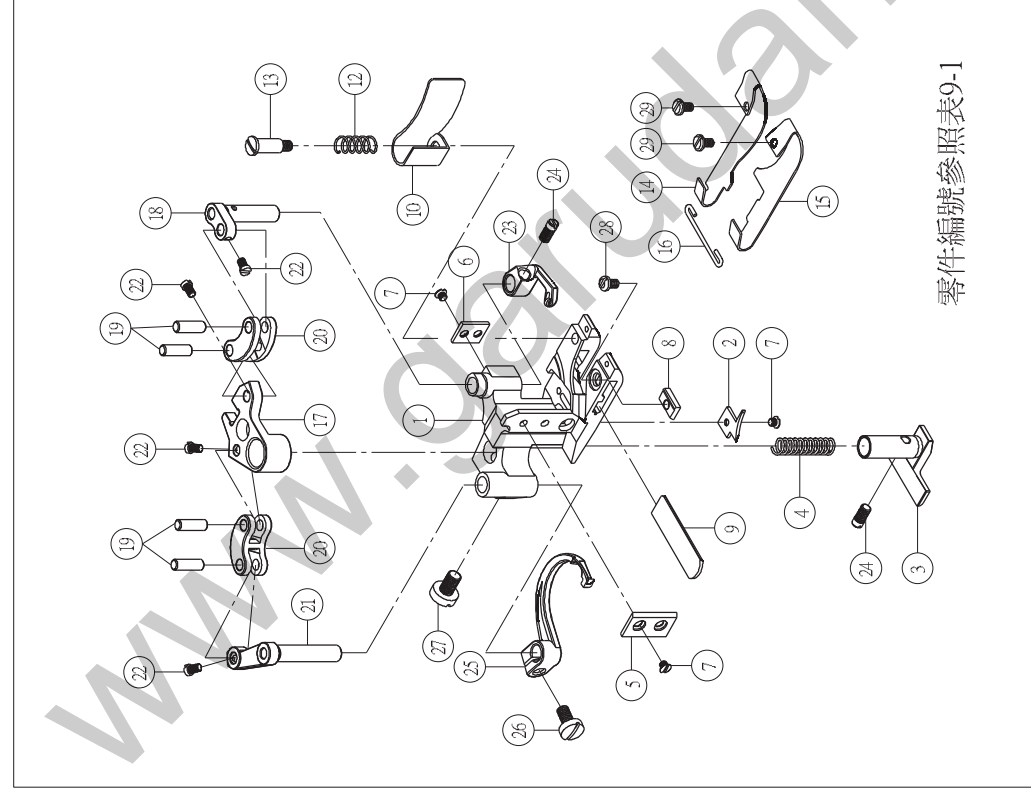
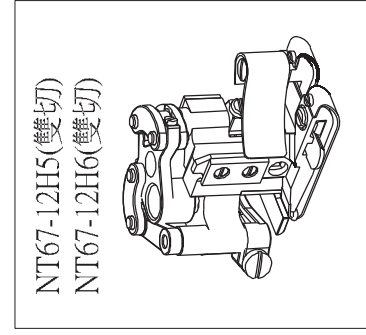
表8-4

機型	壓腳組件編號
NT67-12M5	5240PF0118
NT67-12M6	5240PF01182

表8-5

機型	壓腳組件編號
NT67-12M5	5240PF01211
NT67-12M6	5240PF01212

# NT67-12H系列 壓腳組件(零件)一覽表



零件編號參照表9-1

表9-1

序號	零件編號	名稱	數量
1	參照表9-3	壓腳底	1
2	5240PF0702	壓腳底導模	1
3	5240PF0103	後壓腳	1
4	5240PF01041	壓縮彈簧	1
5	5240PF0105	壓腳定向墊片(左)	1
6	5240PF0106	壓腳定向墊片(右)	1
7	8SF24560402C	螺絲	5
8	5240PF01081	楔片	1
9	5240PF0709	固定刀片	1
10	5240PF0110A	導布屑	1
12	5240PF0112	壓縮彈簧	1
13	8SB32400604G	螺絲	1
14	5240PF0714	簧片輔助壓腳底(右)	1
15	5240PF0715	簧片輔助壓腳底(左)	1
16	5240PF0116	簧片鎖鈎	1
17	5240PF0117	驅動叉	1
18	參照表9-4	傳動連桿	1
19	5240PF0119	連桿梢	4
20	5240PF01201	連桿	2
21	參照表9-5	傳動連桿	1
22	8SB24560404B	螺絲	4
23	5240SL001	上飾縫結鈎	1
24	8SB32440503A	螺絲	2
25	5240SL002	上飾縫結鈎	1
26	8SC36400707A	螺絲	1
27	8SC44400708A	螺絲	1
28	8SC32440406B	螺絲	1
29	8SB24560203A	螺絲	3

表9-2

機型	壓腳組件編號
NT67-12H5	5240PF07
NT67-12H6	5240PF09

表9-3

機型	壓腳組件編號
NT67-12H5	5240PF0701
NT67-12H6	5240PF0901

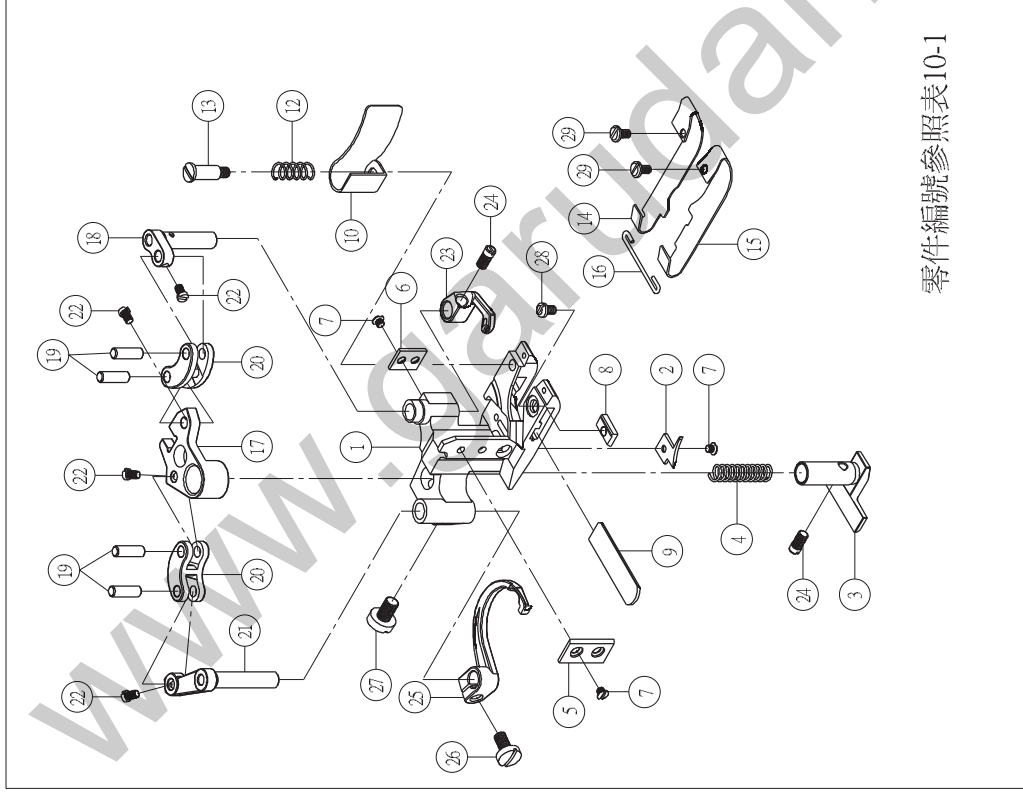
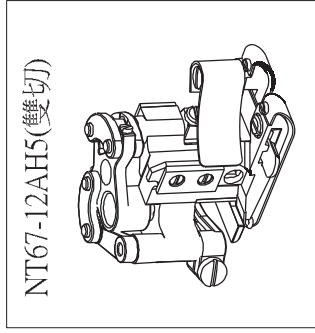
表9-4

機型	壓腳組件編號
NT67-12H5	5240PF0118
NT67-12H6	5240PF01182

表9-5

機型	壓腳組件編號
NT67-12H5	5240PF01211
NT67-12H6	5240PF01212

# NT67-12AH系列 壓腳組件(零件)一覽表



零件編號參照表10-1

表10-1

序號	零件編號	名稱	數量
1	5240PF1001	壓腳底	1
2	5240PF0702	壓腳底導模	1
3	5240PF0103	後壓腳	1
4	5240PF01041	壓縮彈簧	1
5	5240PF0105	壓腳定向墊片(左)	1
6	5240PF0106	壓腳定向墊片(右)	1
7	8SF24560402C	螺絲	5
8	5240PF01081	楔片	1
9	5240PF0709	固定刀片	1
10	5240PF0110A	導布屑	1
12	5240PF0112	壓縮彈簧	1
13	8SB32400604G	螺絲	1
14	5240PF1014	簧片輔助壓腳底(右)	1
15	5240PF1215	簧片輔助壓腳底(左)	1
16	5240PF0116	簧片鎖鈎	1
17	5240PF0117	驅動叉	1
18	5240PF0118	傳動連桿	1
19	5240PF0119	連桿梢	4
20	5240PF01201	連桿	2
21	5240PF01211	傳動連桿	1
22	8SB24560404B	螺絲	4
23	5240SL001	上飾縫結鈎	1
24	8SB32440503A	螺絲	2
25	5240SL002	上飾縫結鈎	1
26	8SC36400707A	螺絲	1
27	8SC44400708A	螺絲	1
28	8SC32440406B	螺絲	1
29	8SB24560203A	螺絲	2

表10-2

機型	壓腳組件編號
NH67-12AH5	5240PF10